

SAFETY FIRST

Ensure that the site is surveyed for buried services and that any electrical supply is located before commencing work.

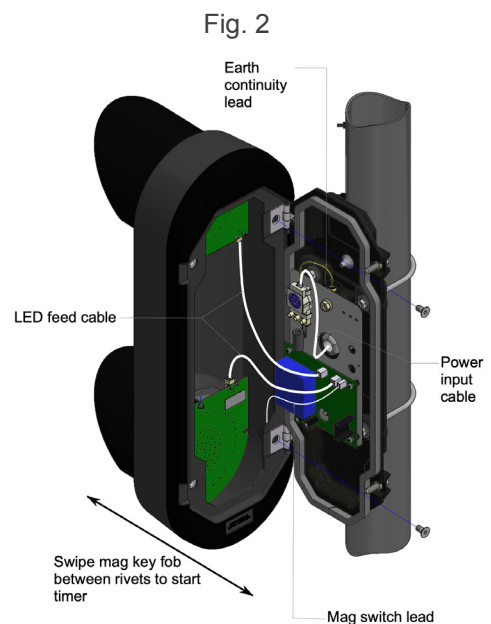
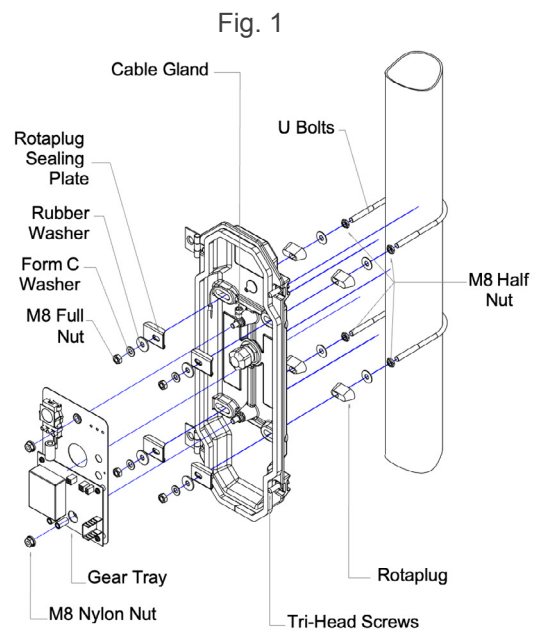
All materials to be needed using suitable mechanical equipment or sufficient manpower for the weight of the item being handled.

TOOLS REQUIRED

Tri-head key
5mm AF Allen key
13mm Ring open ended spanner
Phillips screwdriver
Small spade electrical screwdriver
Wire strippers

INSTALLATION

1. Open the Pulsa unit by unscrewing the two Tri-head screws on the back of the unit. (Fig 2)
2. You may find the following operations easier by removing the Vari-fix back door from the PULSA. This is done by unplugging the two LED array feed cables and the mag switch cable, then remove and retain the two countersunk hinge mounting screws using a 5mm AF Allen key. (Fig 2)
3. It is also necessary to remove the gear tray from the Vari-fix back door. This is done by removing the two nylon flanged nuts. (Fig 1). Note - The Earth cable should remain attached to the door after removing the gear tray.
4. Assuming that the mounting post has already been drilled, deburred and surface protected, feed the supply cable through the supply post and into the back of the Vari-fix back door through the cable entry gland (Fig1).
5. Ensure that the cable entry gland is tightened onto the incoming supply cable. The gland is fitted with a standard insert to accommodate cable sizes 9-14mm. An extra insert to accommodate cable sizes 13-18mm is included in a grip seal bag in the body of the Pulsa.
6. Select the appropriate Vari-fix post fixing kit for the mounting post diameter and remove the M8 form C washers and M8 Full nuts (Fig1).
7. With the back door located in line with the post cable gland, offer one of the U-Bolts around the mounting post and penetrate the two projecting Rotaplugs into the slotted rebates in the Vari-fix back door. With the corresponding Sealing plate mounted on the inside of the door (Fig1).
8. To achieve the correct assembly of the Vari-fix U-Bolt system, slacken the 2 No. M8 half nuts and tighten the 2 No. M8 Full nuts evenly until the 4 raised lugs on the Vari-fix firmly engage with the post diameter (Fig1).



Simmons signs Limited reserves the right to alter or improve this guide without prior notice

9. When secure, re-tighten the 2 no. M8 half nuts, which, as they are tightened, will force the tapered rota plugs into the slotted Vari-fix holes to form a weatherproof seal. Note: - This is particularly important as failing to tighten the M8 half nuts will compromise the IP rating and sealing of the PULSA casing.
10. Repeat this procedure for the other U-Bolt assembly.
11. Reattach the gear tray with the M8 Nylon Nuts (Fig 1).
12. Wire the incoming mains cable into the plug socket located on the gear tray.
 - L - Line
 - E - Earth (ensure that the Vari-fix earth continuity lead is wired in at the same time)
 - N - Neutral
13. Fit the cable restraint clamp and terminal cover.
14. Plug the LED feed cables and the mag switch lead back into their sockets.
15. Re-attach the PULSA body to the Vari-fix back door using the retained screws.
16. The LED Pulsa has a built-in timer which will operate for a pre-set period following activation. The timer is adjusted using a rotary switch mounted on the Pulsa circuit board. Rotate the switch clockwise to increase time. Each click extends the time by 10 minutes up to a maximum of 90 minutes. Set the switch to the desired time period. e.g. 3 = 30mins.
17. Remove the magnetic key fob from the metal door plate before closing the Pulsa and securing with the two tri-head screws. Connect the power.
18. To activate the Pulsa, take the magnetic key fob and swipe from back to front between the rivets at the bottom of the Pulsa. This will trigger the timer for the pre-set period.

VARI-FIX U-BOLT AND BANDING CLEAT SET

When installing the Pulsa, the vari-fix system provides three fixed diameter options using 76mm, 89mm and 114mm stainless steel U-bolt sets and where the mounting post is of a larger diameter or irregular section, the vari-fix banding cleat set can be used in conjunction with conventional stainless steel 20mm banding.

INVINCA VARI-FIX SALES CODE OPTIONS

Var/76 - 76mm U-Bolt set

Var/89 - 89mm U-Bolt set

Var/114 - 114mm U-Bolt set

Vari/Band - Banding Cleat set for universal fixing

Var/Pul/Plt/Fx - Pulsa vari-fix plate fixing set
c/w template Drawing:- SC/P/9 Issue 3

Var/Pul/Hor/Kt - Pulsa horizontal mounting kit
(used in conjunction with standard twist in toggles).

SURFACE PLATE SIGN FIXING OPTION

If the Pulsa has to be surface mounted onto a sign plate then again a specific set of fixings are required along with a copy of the appropriate template drawing. (See sales code 'Var/Pul/Plt/Fx' and description above).

Simmons signs Limited reserves the right to alter or improve this guide without prior notice