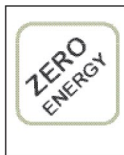
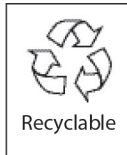


100:NE4



### DESCRIPTION

A single piece moulded retro-reflective bollard with integral flexing feature, in either single or dual aspect. Recessed graphics and a flex point positioned to avoid panel creasing helps minimise damage during an impact.

Independently tested and meets the requirements of BS EN 12767:2007 to 100/NE/4 and after reviewing the data provided in the test this equates to 100-NE-A-R-NS-MD-0 against BS EN 12767:2019



BS8442:2015

### CONSTRUCTION

#### Body

Single piece, rotationally moulded using UV stabilised linear low density polyethylene with easy clean surface treatment.

#### Graphics

A 300mm diameter aspect in microprismatic retro-reflective material. All reflective panels meet the requirements of BS EN8408:2005.

#### Mounting

The multi fixing system allows direct mounting to a flat surface, to Simmons signs CABEX unit, to a NAL Socket and to most other manufacturer's bases.

### LIGHTING EQUIPMENT

N/A - Reflective only.

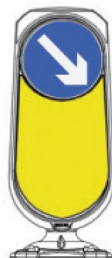
### OPTIONS

Available in single or dual aspect.  
Body available in white or black.  
Sign face options, listed below.

D610



D610R



D611



D616



D606



D606R



D955



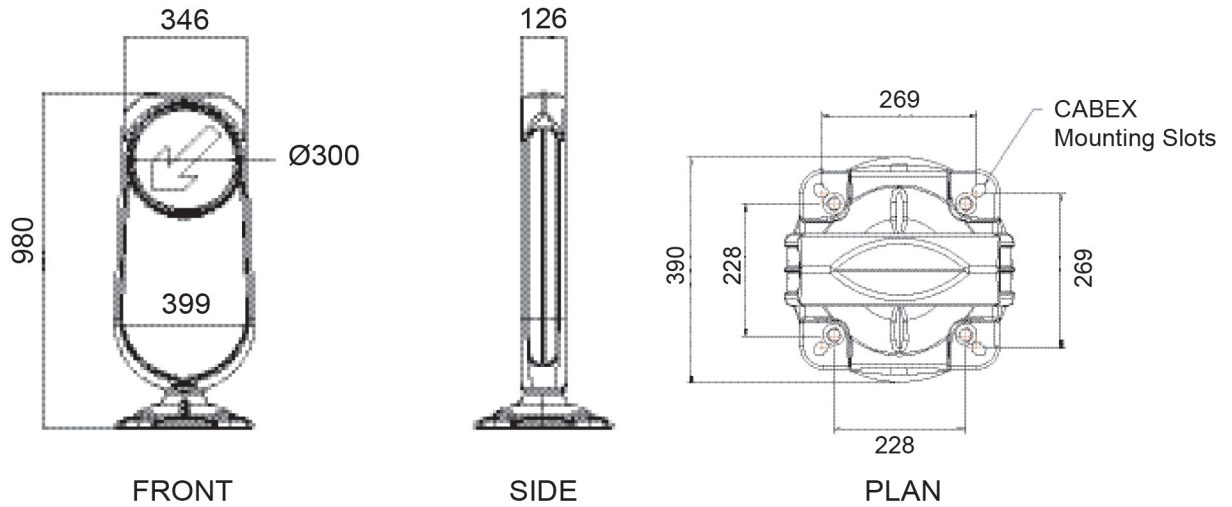
PLAIN ASPECT



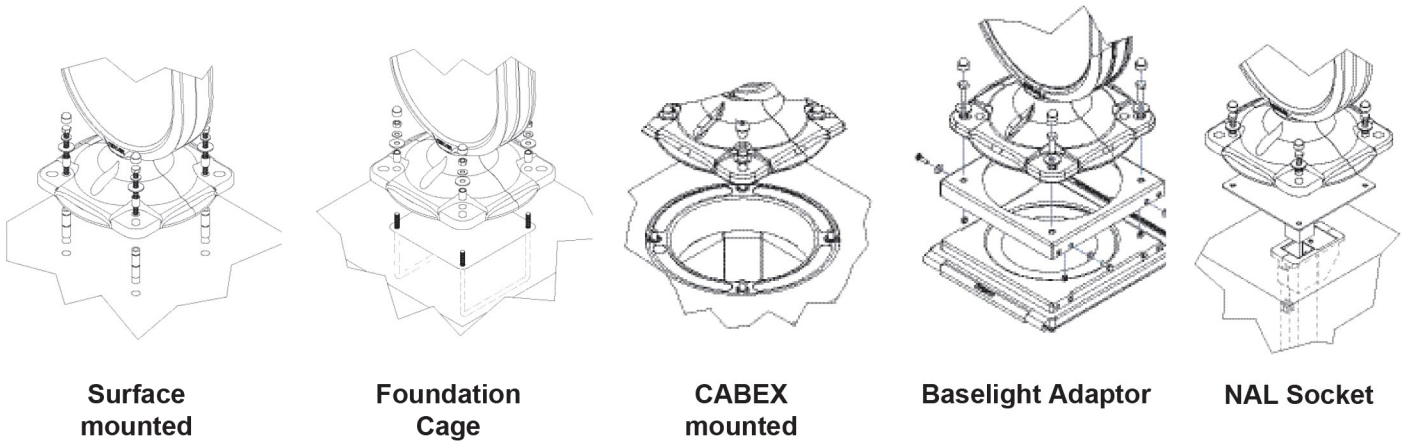
\* Dft approval is required for certain applications.

Simmons signs Limited reserves the right to alter or improve this guide without prior notice.

## DIMENSIONS



## FIXING METHODS



## PACKAGING DETAILS

Product	Weight	Packing	Dimensions	Pack Quantity
Weebol Flex Singles	8kg	Heavy duty polyethylene bag	112 x 40 x 40 cm	1
Weebol Flex Pallet	138kg	Shrink wrapped on pallet	120 x 80 x 175 cm	16

Simmons Limited reserves the right to alter or improve this guide without prior notice.