



## DESCRIPTION

An illuminated, single piece moulded retro-reflective bollard, combining a bespoke polymer base light with a patented dust seal that reduces light depreciation over time.

Independently tested and meets the requirements of BS EN 12767:2007 to 100/NE/4 and after reviewing the data provided in the test this equates to 100-NE-A-R-NS-MD-0 against BS EN 12767:2019



## CONSTRUCTION

### Body

Single piece, rotationally moulded using UV stabilised flexible polyethylene with easy clean surface treatment, incorporating 300mm diameter aspect in microprismatic retro-reflective material.

### Bespoke base light

#### Enclosure

Rotomoulded in rigid polyethylene. 2 x 25mm IP68 nylon cable glands to suit 9-14mm or 13-18mm cables through side entry.

#### Lens

Injection moulded clear polycarbonate.

#### Light Unit

4 x 1W optically engineered lens system achieving L1 with a CRI 80 LED.

#### Fuse Board

250mm x 160mm 12.5mm thick non-hygroscopic plywood bolted to the bottom of the base.

#### Mounting

Internally tapped 12mm bolt down 316 stainless steel "u" bolts.

## OPTIONAL CONTROL/SWITCHING

Photocells  
240/24V

Central Management Systems  
240V

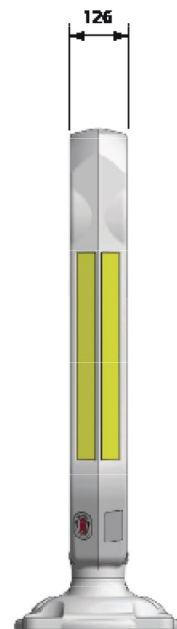
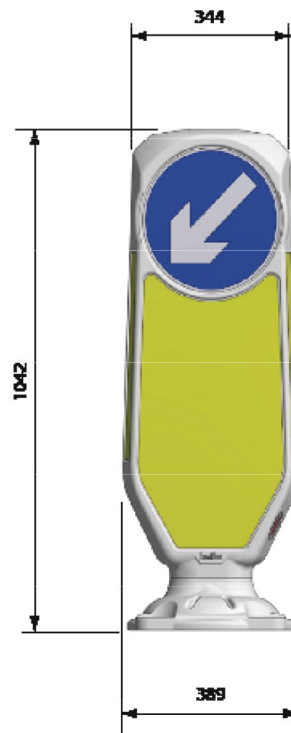
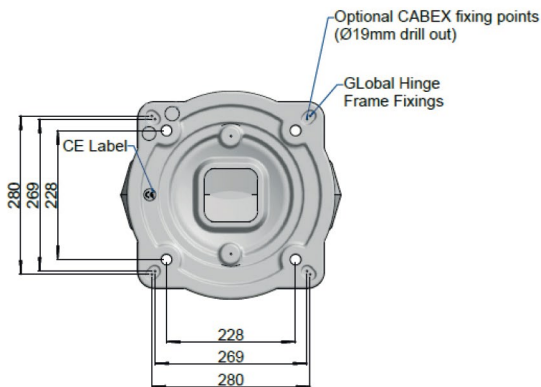
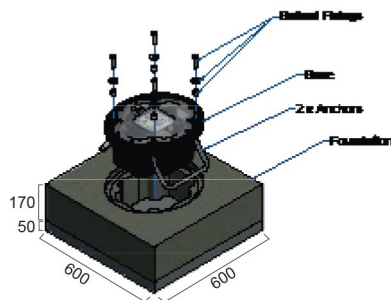
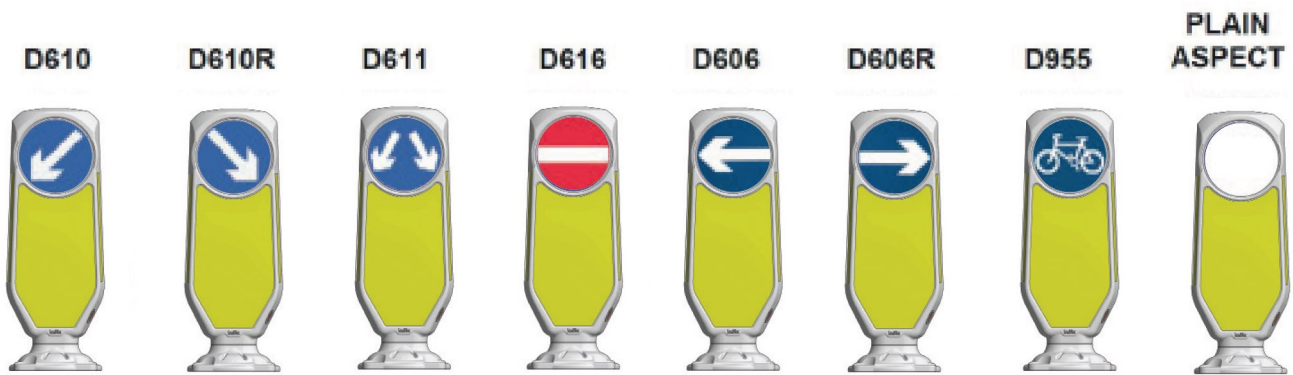
## PACKAGING

Product	Weight	Packing	Dimensions	Pack Quantity
Bollard	7KG	Bag	39 x 37 x 104cm	1
Base	5.2KG	Carton	42.5 x 41 x 25.5cm	1

Simmons signs Limited reserves the right to alter or improve this guide without prior notice.

LED		
Voltage	230V	24V
Light Source	4 X 1W	4 X 1W
Power(W)*	5W	9W
Compliance	L1	L1
Warranty (yr)	5	5

\*For UMSUG codes please see our website



\*All dimensions in mm.

Simmons signs Limited reserves the right to alter or improve this guide without prior notice.