

This product contains a light source of energy efficiency class D (Range A-G)



DESCRIPTION

The LUA is a proven signlight system, with over 25 years development and field use. It features a robust cast aluminium head which dovetails to a range of anti-rotational fixing bracketry, to meet most site fixing requirements.

CONSTRUCTION

Body

Die cast LM6-M aluminium, acid cleaned, chromate primed and polyester powder-coated Aircraft Grey to BS381C : 1980 No. 693. All threads are stainless steel bushed.

Lighting Equipment

LED Integrated sealed unit, made from injection moulded UV stabilised polycarbonate. Comprising the geartray, clear lens, long life open circuit LEDs and potted, purpose designed constant current drivers.

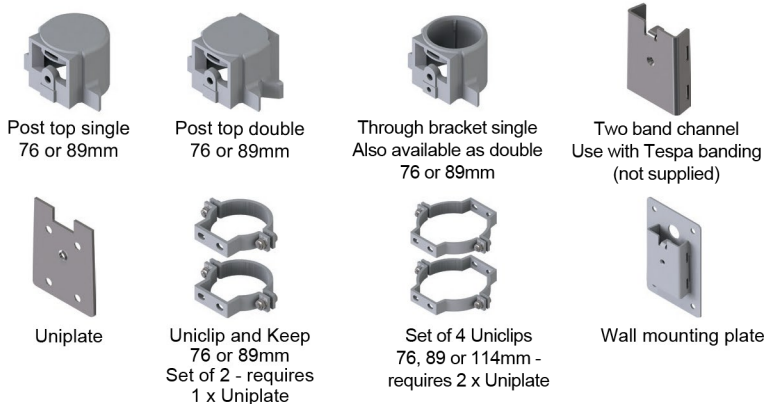
Mounting

Range of anti-rotational mounting equipment.

IP Rating

IP54 for complete head.

FIXING BRACKETS



OPTIONS

Integral photocell.
Remote monitoring equipment.
Black finish.
Other paint finishes on request.
Other bracket sizes.
Solar kit - (for 3 x 1W LED versions)

RELATED PRODUCTS




LUB

PACKAGING

Product	Weight	Packing	Dimensions	Quantity
LUA unit with integrated LED light unit	3 kg each	Carton	36 x 36 x 36cm	5 per carton


Simmons signs Limited reserves the right to alter or improve this guide without prior notice.

LED 					
Integrated LED light unit					LUA Solar ***
Voltage	240V	24V	240V	24V	12V
Light Source	3 x 1W	3 x 1W	6 x 1W	6 x 1W	3 x 1W
Power (W)*	5	7	9	10	N/A
Compliance as per Lighting Standard EN 12899 Parts 1 & 2 <small>Based on a 600 & 750mm signs</small>	600mm sign	E2 UE3	E2 UE3	E3 UE3	E3 UE3
	750mm sign	E2 UE2	E2 UE2	E3 UE2	E3 UE2
Guarantee (yr)**	5	5	5	5	2

*Improvements in LED technology may result in a change to this information.

** The guarantee relates to the unit only. It does not include the photocell guarantee.

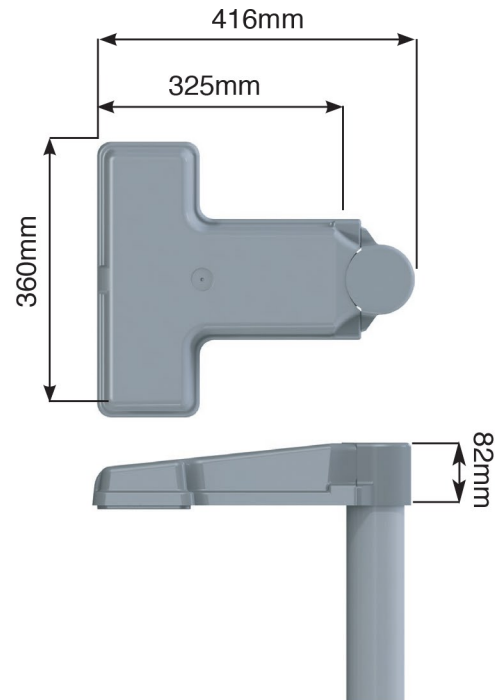
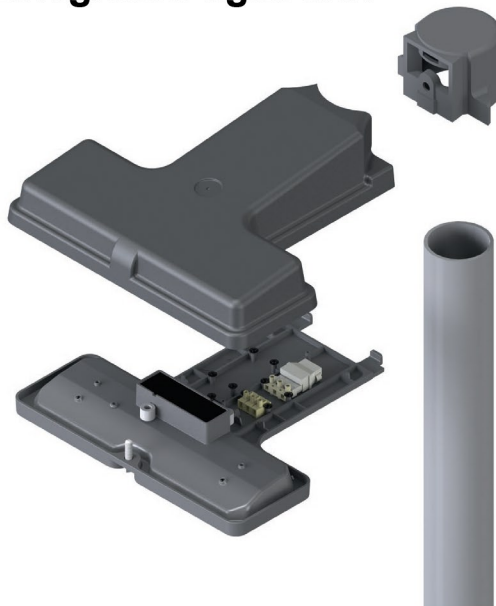
*** A single sided solar LUA kit includes one solar panel and one 12 amp solar battery and regulator.

 A double sided solar LUA kit includes one solar panel and two 12 amp solar batteries and regulators.

The LUA solar powered system is designed to operate between the hours of dusk and dawn.

A fully charged battery has 5 days autonomy if no battery charge is received.

LUA signlight unit with integrated light unit



Simmons signs Limited reserves the right to alter or improve this guide without prior notice.