

SAFETY FIRST

Survey the site for buried services.

Isolate the mains electrical supply before commencing installation.

All electrical work must be carried out in accordance with the latest IET wiring regulations (BS7671) by suitably qualified engineers.

Suitable mechanical equipment and sufficient manpower must be used for the weight of the item being handled.

The Modupost with a 6m extension post has been approved using an Urbis ZX3 lantern. Before using any other lantern, contact Simmons signs with the size and weight details.

Note: To provide protection against corrosion, the column base has a protective coating internally and externally to a height of 1050mm. The base plate also has a protective coating. Care should be taken during installation to ensure that this coating is not compromised.

PACKING LIST

Box 1

- Column base (**NOTE: The base plate is packed in box 4**)
- Cast cone trim

Box 2

- Illuminated section

Box 3

- Extension post fitted with 2 x brackets to suit a mid-post beacon
- Plastic bag containing fixings (attached to the extension post)

Box 4

- Mid-post beacon globe in two halves fitted with LED units
- Base plate.

TOOLS REQUIRED

19mm deep drive socket (supplied).

½" drive socket wrench.

5mm security Allen key (supplied).

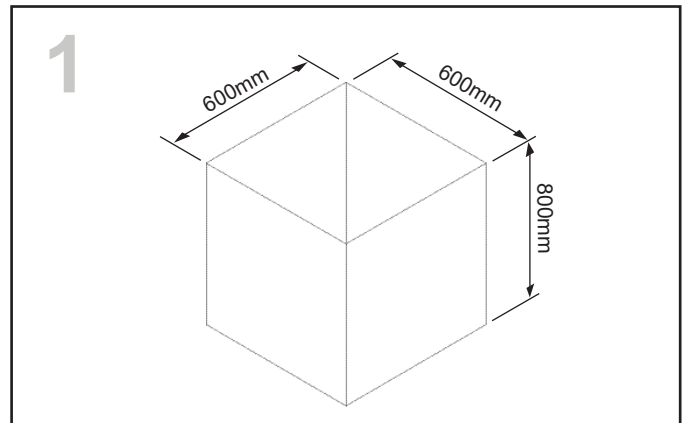
Tri-head key.

2 x 13mm combination spanners.

Terminal screwdrivers.

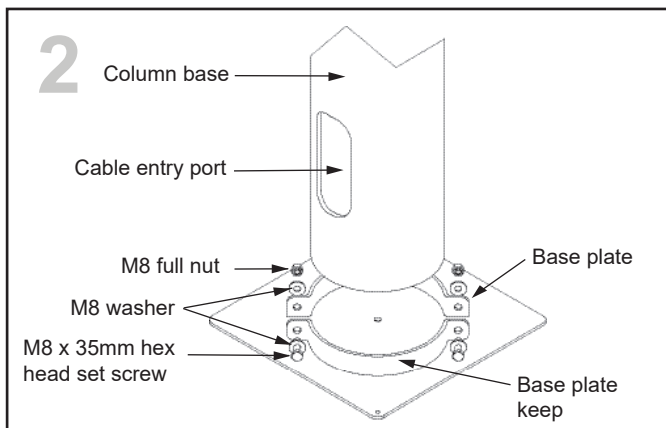
Concrete 'Gen 1' to BS 8500 or equivalent.

Access platform for installation of the extension post.



Excavate a hole 600 x 600 x 800mm deep.

Note: For Moduposts fitted to NAL retention sockets, please refer to NAL RS retention socket installation instructions for appropriate foundations using RS165/168/177 socket with 600mm plant depth.

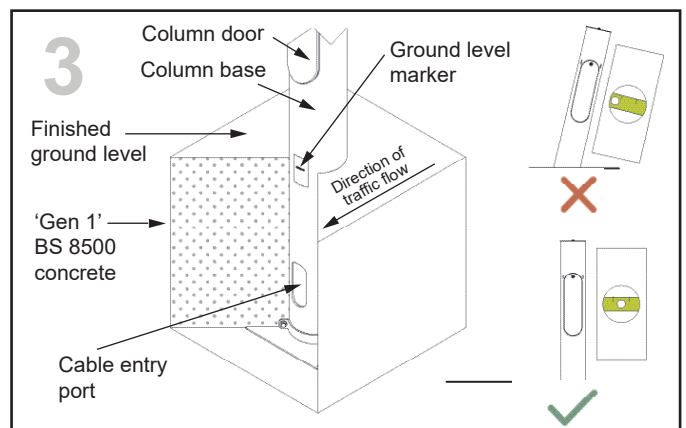


Unpack the column base and cast cone trim (see figure 4 for illustration) and set the cast cone trim aside for later.

See note regarding the protective coating under Safety First.

Attach the base plate using the base plate keep, M8 x 35mm hex head set screws and M8 full nuts and washers.

Note: Base plate not fitted for NAL versions of the Modupost



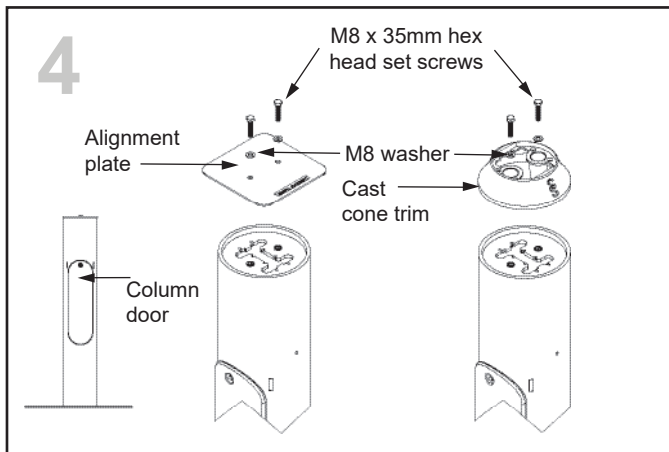
Insert the column base into the hole, making provision for the mains supply to enter the base through the cable entry port.

Note: The column base must be positioned in the centre of the hole with the column door facing away from oncoming traffic and the ground level markers on the base must be exactly in line with the finished ground level.

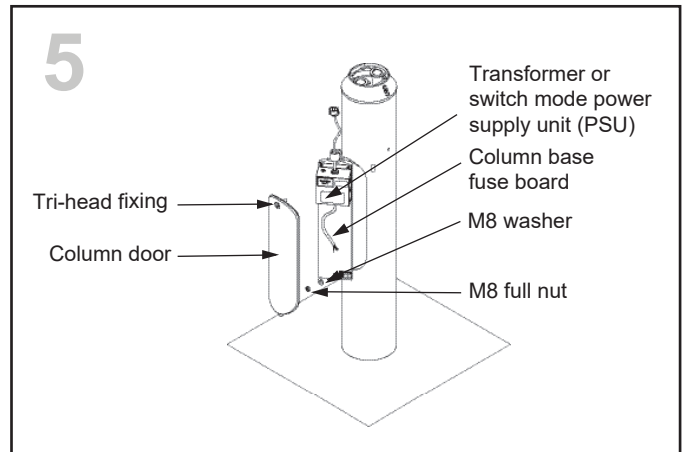
Backfill the hole with concrete ('Gen 1' to BS 8500 or equivalent), up to the ground level markers on the column base, using a spirit level to ensure it is vertical.

Note: Allow the concrete to set before continuing with the installation.

Simmons signs Limited reserves the right to alter or improve this guide without prior notice.

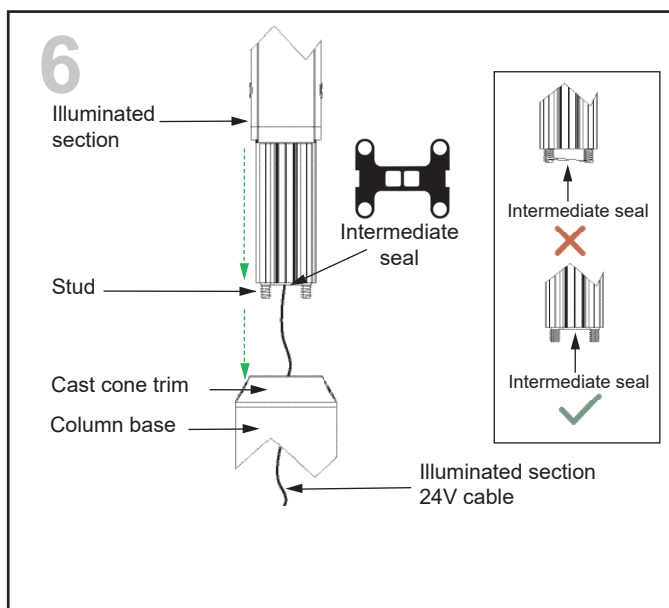


Once the concrete has set, remove the alignment plate from the column base and re-use the M8 x 35mm hex head sets and washers to fit the cast cone trim.



Remove the column door by loosening the tri-head fixing.

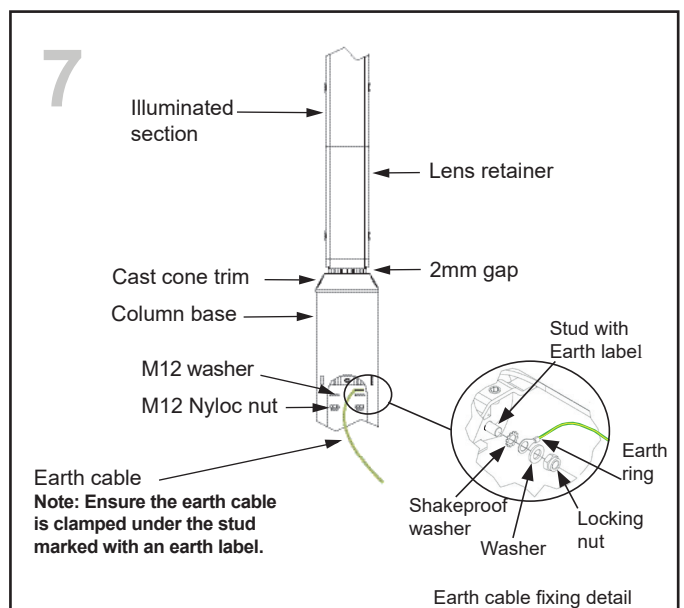
Remove the column base fuse board by undoing and retaining the M8 full nut and washer at the bottom, lifting the bottom of the board off the stud, then lowering it and with a twisting motion lifting it out through the door aperture.



Unpack the illuminated section, removing and retaining the 4 x M12 Nyloc nuts and washers fitted to the studs located at the base.

Check that the intermediate seal is correctly in place.

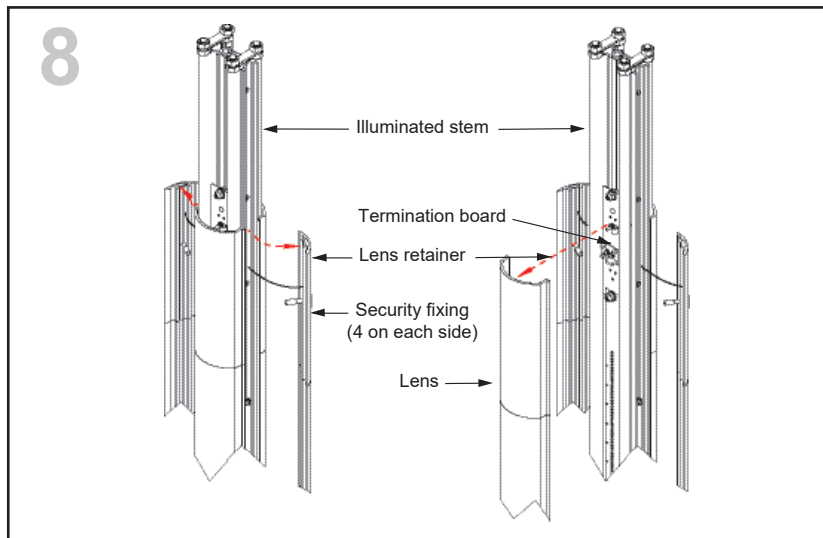
Pass the 24V cable exiting the bottom of the illuminated section through the top of the cast cone trim and down into the column base.



Insert the four studs at the base of the illuminated section into the holes at the top of the column base.

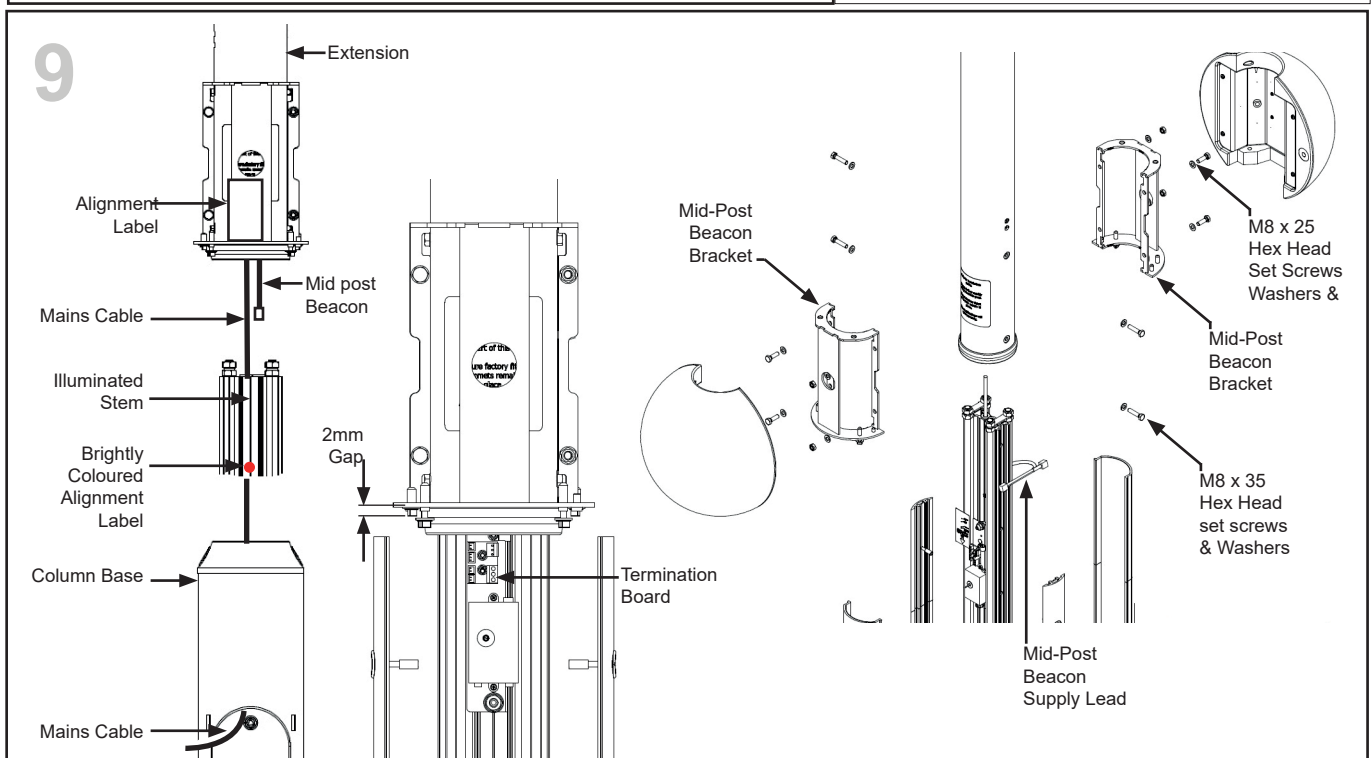
From inside the column base, refit the 4 x M12 Nyloc nuts and washers to the illuminated section studs. The 12mm ring on the end of the free earth wire is secured under the nut of the stud marked with an earth label. Ensure that a shakeproof washer is fitted between the earth ring and the bare metal face (see diagram).

Note: ensure the illuminated section is firmly seated. As a guide there should be a 2mm gap between the bottom of the lens retainer and the top of the cast cone trim.



Loosen the security fixings on the illuminated stem (4 each side) to allow the 2 lens retainers to hang freely.

Remove the lens covering the termination board by gently prising it off its seals at the midway point, and then gripping it in the centre and pulling it out and down to release it from the top recess.



Unpack the extension post, uncoiling the 1.5mm² lantern mains cable tucked inside the bottom. **Note: The other end of the cable is under the reducer cap. This cap should be removed before fitting the lantern.**

Safely supporting the extension post, lift it into position ensuring the alignment label is properly lined up with the brightly coloured alignment mark on the illuminated section.

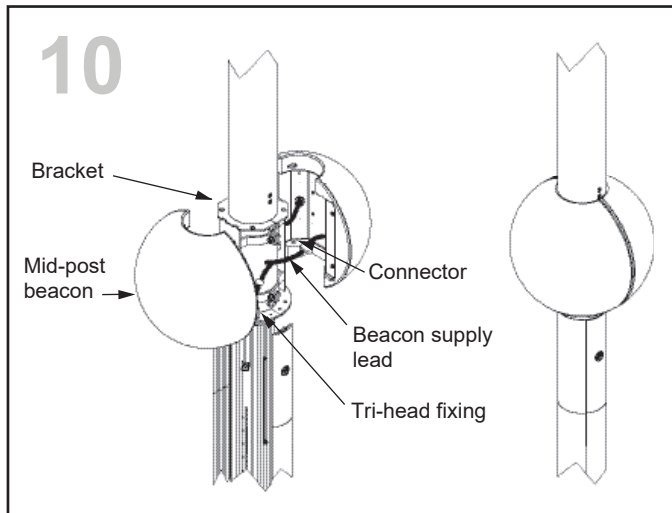
Pass the floodlight lantern mains cable through the spare grommet in the top of the illuminated stem down the centre cable duct and into the column base.

Slide the extension post over the exposed spigot at the top of the illuminated stem. Plug the mid-post beacon supply lead into the socket marked "Beacon" on the small connector board at the top of the lighting module. **Note: Be careful not to pinch any cables.**

Either loosen and rotate or completely remove the mid-post beacon support brackets. Secure the extension post to the illuminated section using the M8 x 35 hex head set and washers supplied.

Re-secure or re-fit the mid-post beacon support brackets in their original orientation and secure in place using the M8 x 25 hex head set, washers and nuts supplied. **Note: The split line of both brackets must be aligned with the extension post fixing points.**

Simmons signs Limited reserves the right to alter or improve this guide without prior notice.



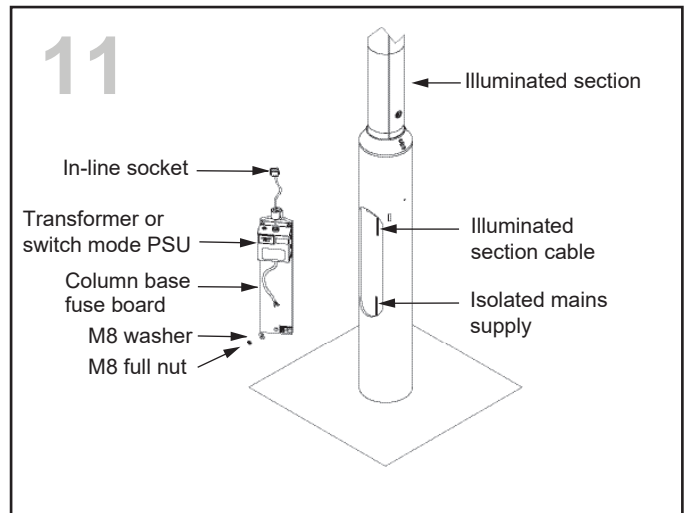
Connect each half of the mid-post beacon to each end of the beacon supply lead and hook the vertical studs on the beacon halves onto the holes at the top of the brackets. The bracket has been supplied lightly clamped only, and will need to be tightened up at this point, ensuring it remains correctly aligned.

Tighten the 2 x Tri-head screws to pull the mid-post beacon down onto the studs.

Ensure the lens is the right way up so the bands match those on the lens retainers and engage it in the lower seal.

Push the lens down and forward under the top recess and onto the main lighting spine, ensuring that it is fully seated and both end seals are engaged.

Replace the lens retainers by retightening the security fixings.



Refit the column base board.

Slide the board (lower end first) into the door aperture with a twisting motion. Hook the pointed end of the board under the tang in the upper column base section. Refit the M8 washer and M8 full nut.

Note: Ensure the board is secure.

Connect the plug on the illuminated section cable to its corresponding in-line socket on the PSU.

Connect the switch mode PSU to the isolated mains supply cable in accordance with IET regulations. An area is provided on the base board for securing any termination equipment that may be required.

Reconnect the mains power supply and check that the illuminated stem is lit and the mid-post beacon is flashing. **Note: The mid-post beacon will flash erratically for a few seconds before settling into a steady rhythm.**

Finally: Replace the column door and securely tighten the Tri-head retainer.