



### DESCRIPTION

An illuminated, single piece moulded retro-reflective bollard, combining a bespoke polymer base light with a patented dust seal that reduces light depreciation over time.

### CONSTRUCTION

#### Body

Single piece, rotationally moulded using UV stabilised flexible polyethylene with easy clean surface treatment, incorporating 600mm diameter aspect in microprismatic retro-reflective material.

### LIGHTING EQUIPMENT

#### Enclosure

Rotomoulded in rigid polyethylene. 2 x 25mm IP68 nylon cable glands to suit 9-14mm or 13-18mm cables through side entry.

#### Lens

Injection moulded clear polycarbonate.

#### Light Unit

LED array with optically engineered lens system achieving L1 lighting levels.

#### Fuse Board

250mm x 160mm 12.5mm thick non-hygroscopic plywood bolted to the bottom of the base.

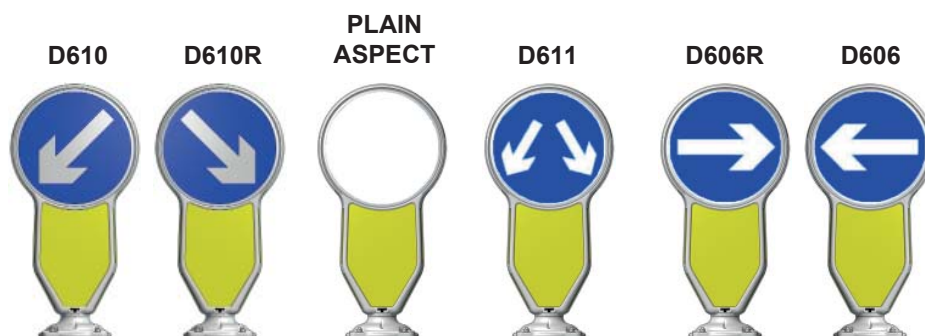
#### Mounting

Internally tapped 12mm bolt down 316 stainless steel "u" bolts.

### OPTIONS

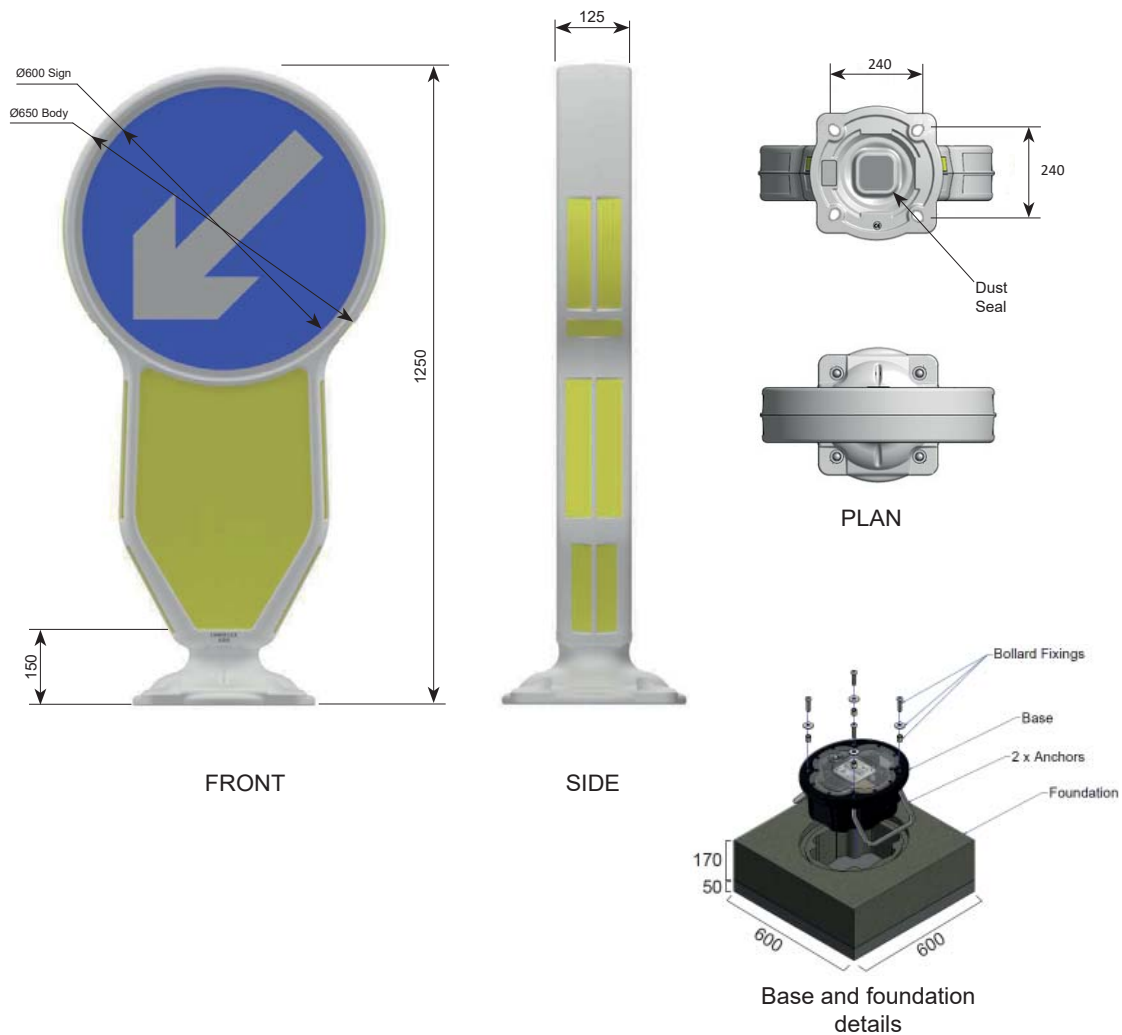
Available in single or dual aspect.

Sign face options as listed.



Simmons signs Limited reserves the right to alter or improve this guide without prior notice.

LED	
Voltage	230V
Light Source	4 x 1W
Power(W)	16.6W
Compliance	L1
Warranty (yr)	5



### PACKAGING DETAILS

Product	Weight	Packing	Dimensions	Pack Qty
Lumiflex 600 Body	9kg	Plastic bag	1352 x 530 x 660	Single
Lumiflex Base	6kg	Carton	420 x 420 x 250	Single

Simmons signs Limited reserves the right to alter or improve this guide without prior notice.

[simmons signs.co.uk](http://simmons signs.co.uk)

+44 (0)7841 052 022  
 +44 (0)1952 293 333  
 sales@simmons signs.co.uk

Stafford Park 5  
 Telford Shropshire  
 TF3 3AS

Doc Ref : DG175  
 Issue Date: June 2019  
 Issue Number : 2