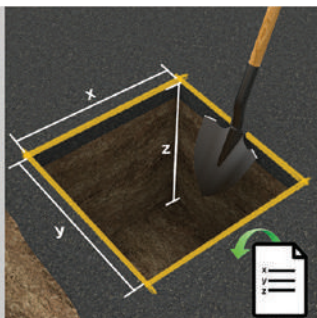


## CIVILS INSTALLATION OF NAL RETENTION SOCKETS

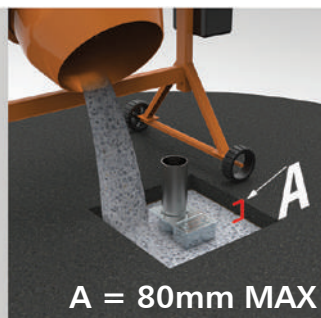
**1**

Excavate as per table on pages 2 and 3.



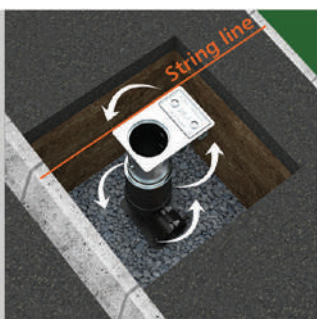
**5**

Surround with ST4 or C20 minimum strength wet concrete and compact.



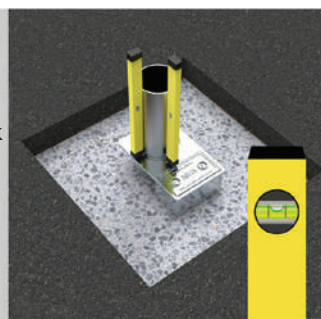
**2**

Insert socket, orientate top and bottom to suit. Set finished level with string line.



**6**

Using levelling pole, check vertical alignment.



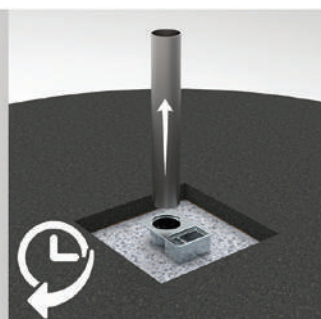
**3**

If required, connect ducting and insert draw cord.



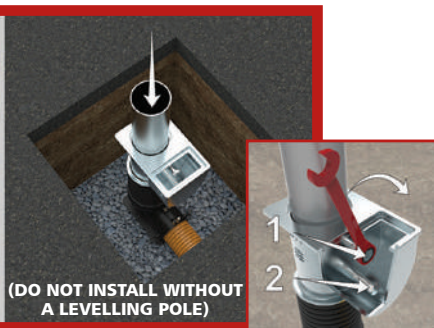
**7**

Remove levelling pole once concrete is set.



**4**

Insert and tighten levelling pole with bolts in the side chamber of socket.



**8**

Replace pedestrian and side access covers. Re-instate finished surfacing.

