

SAFETY FIRST

Isolate the mains electrical supply before commencing installation. All electrical work must be carried out in accordance with the latest IET wiring regulations (BS7671) by suitably qualified engineers. Ensure the voltage of the INVINCA is compatible with the mains supply input.

Be aware that the battery version of the INVINCA VAS is heavy and additional assistance may be required during installation.

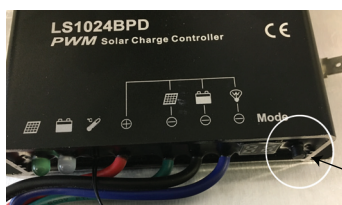
TOOLS REQUIRED

M8 Tri-Head Key
4 mm Allen Key
5 mm Allen Key
13 mm Socket and Ratchet or Open Ring Spanner
3 mm Spade End Screwdriver

Please see the separate user manual for details on how to configure the INVINCA VAS detection settings .

HARD WIRED BATTERY INSTALLATION

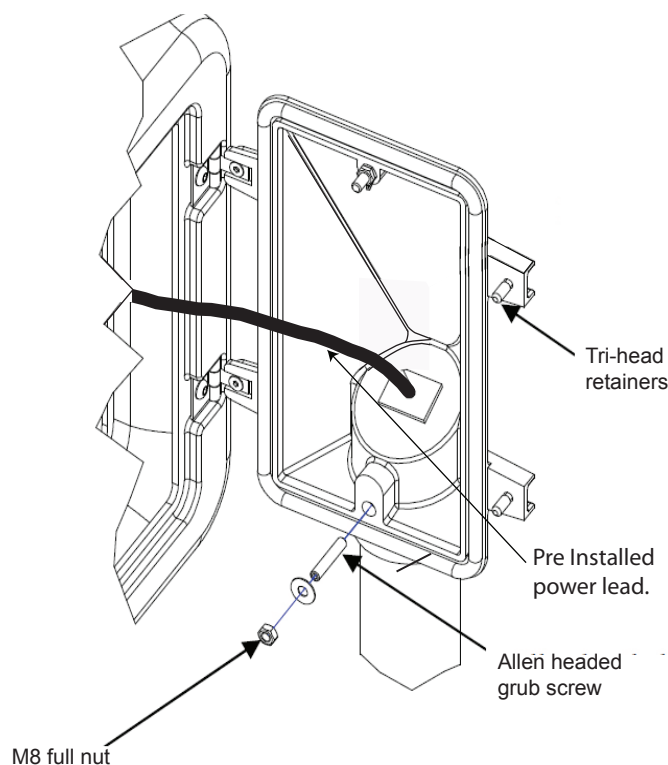
1. The post top INVINCA VAS is designed to suit a 76mm diameter post. The ideal height of the post is 2500mm above ground level (see overleaf).
2. Open the INVINCA VAS using the Tri-head key.
3. Uncoil the pre wired power lead then present the post top door bracket to the mounting post, passing the power lead down the post.
4. Next sleeve the bracket over the mounting post.
5. Slacken off the lower secondary M8 full nut on the inside of the post top bracket along with the allen headed grub screw.
6. Seat the post top firmly down until it bottoms out on the top of the mounting post.
7. With the sign orientated in the required position firmly tighten up the allen headed grub screw to prevent bracket rotation and finally lock up the M8 stainless steel nut.
8. Switch the unit on by pressing the switch located on the black regulator as shown below.



Power Switch - Press

9. Close the body back onto the door and firmly tighten Tri-head retainers to compress door seal.
10. Providing the batteries are charged and after a short delay, the INVINCA VAS will display a test sequence until activated by an approaching vehicle. It will then operate normally.

11. Finally connect the power lead to the incoming power supply. The batteries will automatically charge when the power is on.



Simmons signs Limited reserves the right to alter or improve this guide without prior notice.