

DESCRIPTION

The Modupost is a high performance illuminated post system featuring a robust high strength design with low energy and low maintenance light sources. Available with either a post top beacon or a mid-post beacon with a post extension enabling floodlight fitting.

CONSTRUCTION

Base section:

Ø165mm aluminium powder coated black, designed with space for a cut-out and remote monitoring node (not supplied), fitted with a 24V power supply unit (PSU), access door and separate base plate. The base section and related parts have a protective coating inside and out to a height of 850mm on the standard Modupost and 1050mm on the Modupost with post extension.

Illuminated section:

An aluminium spine with 4 No 12mm stainless steel reinforcing bars and easy lens access with 8 No security fixings. External components are powder coated black, with white reflective banding applied to match the lenses.

Lenses:

Tough, UV stabilised, 5mm thick, extruded polycarbonate lenses with internally applied printed translucent reflective film.

Post top beacon:

A one piece, high impact, 335mm diameter, self coloured rotationally moulded globe, UV stabilised low density polyethylene with a 2.5mm nominal wall thickness. Mounted on a black, degreased, chromate primed, polyester powder coated gallery, reinforced with a white powder coated steel pillar and secured with a stainless steel square cup washer and Tri-head fixing, preventing rotation. The assembly is IP54 rated.

Mid-post beacon

A two piece, high impact, 335mm diameter with a vertical split line, self coloured rotationally moulded globe, UV stabilised low density polyethylene with a 2.5mm nominal wall thickness. Each half is fitted with a 2mm aluminium polyester powder coated white 24V AC LED Light Unit, integral driver and synchronised flasher control. The beacon halves fit onto a 114mm fabricated 5mm stainless steel, primed and polyester coated black bracket with stainless steel fasteners, which is supplied pre-fitted to the extension post.

Lighting:

- Post Bands:** The white bands are illuminated by two purpose designed 24 volt LED light engines (one per side) powered by an IP65 sealed driver offering three dimming levels. LED's are encapsulated to protect against moisture ingress.
- Post Top Beacon:** 24V AC LED Light Unit with integral driver and mains synchronised flasher control consuming 12 watts of power.
- Mid Post Beacon:** Each half independently illuminated by 24V AC LEDs with integral driver and synchronised flasher control consuming 21 watts of power.

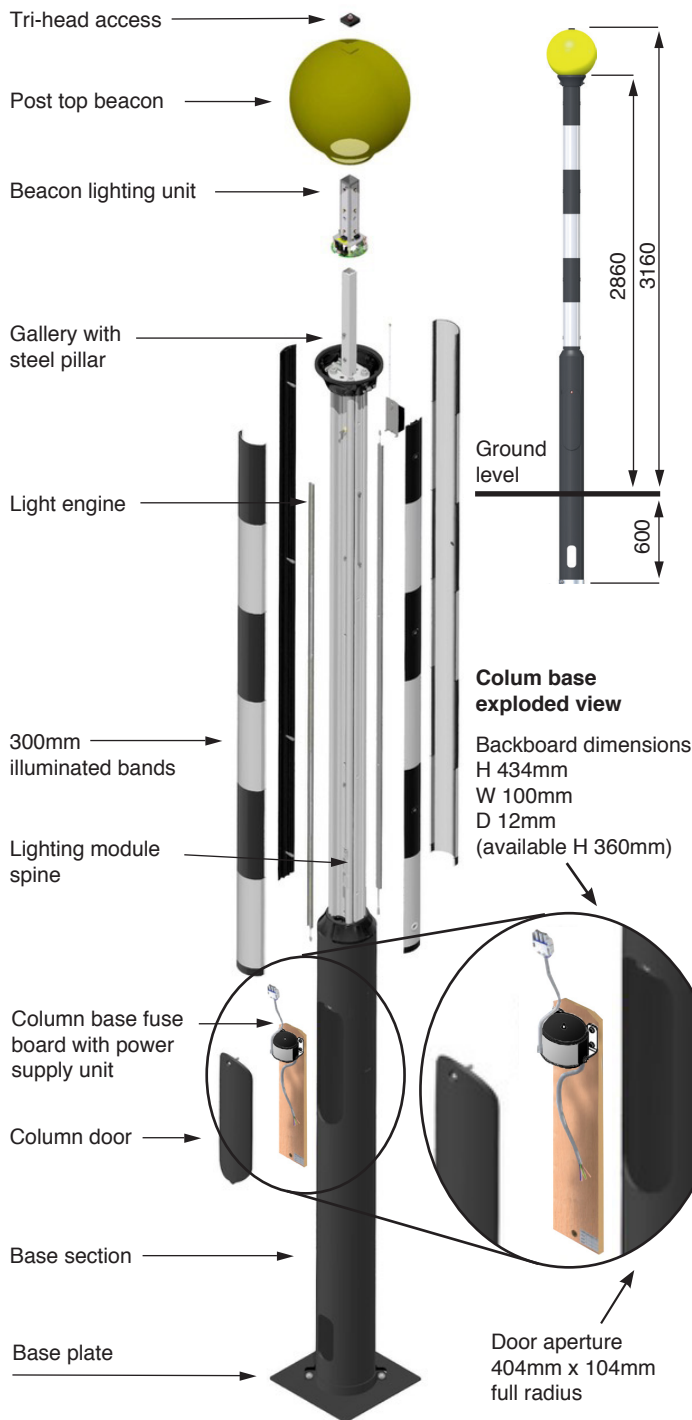
Extension post:

Ø114mm x 3 metre nominal length extruded aluminium post, powder coated black fitted either with a 76mm or a 60mm aluminium spigot adaptor enabling the fitting of a floodlight lantern.

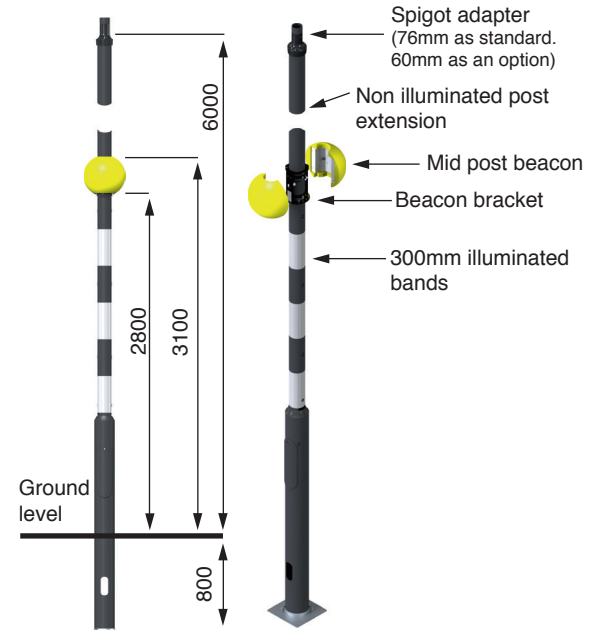
Simmons signs Limited reserves the right to alter or improve this guide without prior notice.

LIGHTING EQUIPMENT

Modupost with post top beacon



Modupost with mid post beacon and post extension



All dimensions in mm

PACKAGING DETAILS

Modupost with post top beacon

Product	Weight	Packing	Dimensions	Pack Quantity
Base section	18kg	Carton	151 x 18 x 18 cm	1
Illuminated section	28kg	Carton	250 x 20 x 20 cm	1
Post top beacon	3kg	Carton	33 x 33 x 33 cm	1

Modupost with extension post

Product	Weight	Packing	Dimensions	Pack Quantity
Base section	20kg	Carton	151 x 18 x 18 cm	1
Illuminated section	28.8kg	Carton	250 x 20 x 20 cm	1
Post extension	18kg	Carton	328 x 21 x 21 cm	1
Mid post beacon	4.5kg	Carton	33 x 33 x 33 cm	1

Simmons signs Limited reserves the right to alter or improve this guide without prior notice.