

SAFETY FIRST

Isolate the mains electrical supply before commencing installation.

To avoid dropping this product, use high grip safety gloves when handling.

All electrical work must be carried out in accordance with the latest IET wiring regulations (BS7671) by suitably qualified engineers.

TOOLS REQUIRED

Tri-head Key
Terminal Screwdriver 3 – 5mm

UPGRADE FROM MODUBEL TO MODUSTAR

- A. Before fitting the beacon it will be necessary to remove the old globe by removing the Tri-head screw at the top of the globe and sliding the globe up and off the Support Mast. (See Fig. 2)

module up and off the Support Mast. Recycle both the globe and light module.

- B. Remove the power lead at the connector board or ceramic block and replace with the new longer lead supplied.

Remove the Fixing Screw from the existing light module, disconnect the power lead and slide the light

FIT TO EXISTING MODUSTAR GALLERY

1. Ensure the Support Mast has the stop screw fitted.
2. Lower the ModuStar assembly over the Support Mast ensuring the LED Arrays are facing the oncoming traffic.

Connect the power leads (B) and lower the beacon until it hits the stop screw and locates into the square recess at the top of the globe, rotating it slightly if necessary.

3. Secure the Globe by locating the Tri-head fixing and tightening until the beacon compresses the gallery seal.

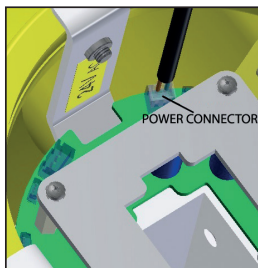
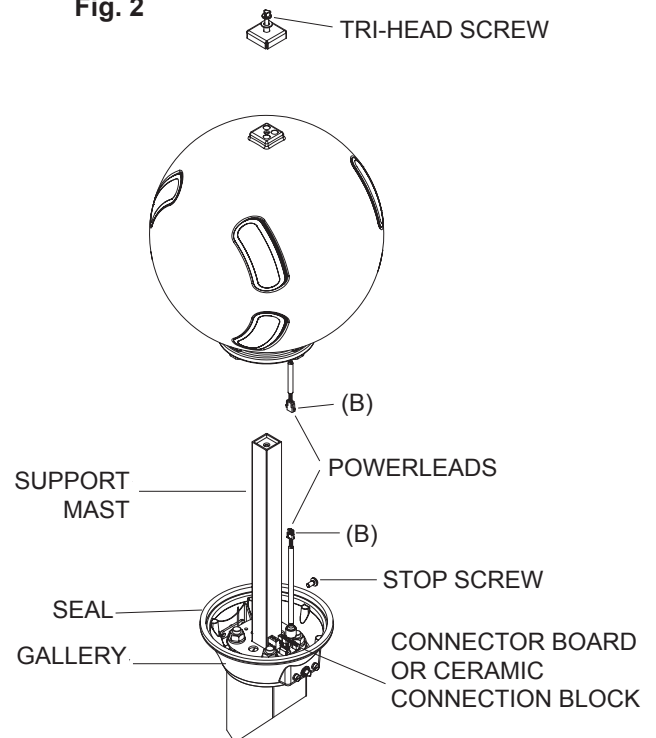


Fig 1

Fig. 2



Simmons signs Limited reserves the right to alter or improve this guide without prior notice.

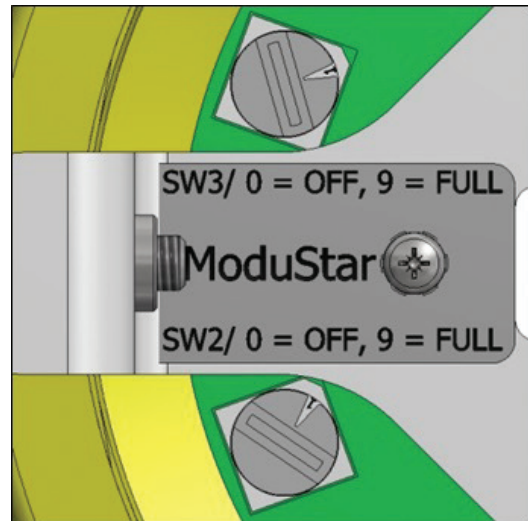
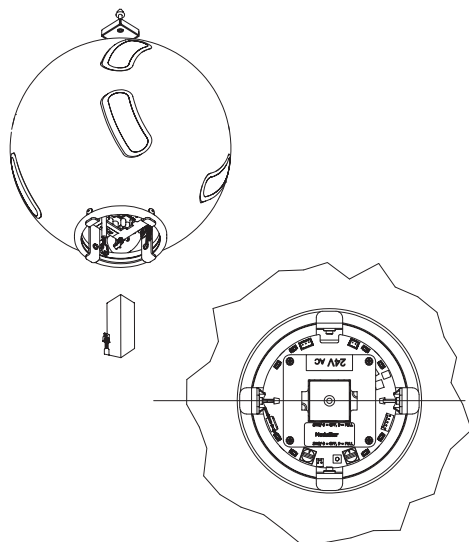
CHANGING THE LIGHT OUTPUT MODUSTAR

Undo the Tri-head screw at the top of the beacon until the beacon will lift up. Disconnect the power cable and lift the beacon off the stem. Note the position of the two rotary switches SW2 and SW3 which control the LED illumination units. Using a small terminal screwdriver turn each through the nine positions to achieve the light level desired. Note the levels can be set independently so for example one side can be switched off position 0, while the other side is set to 52% output position 5.

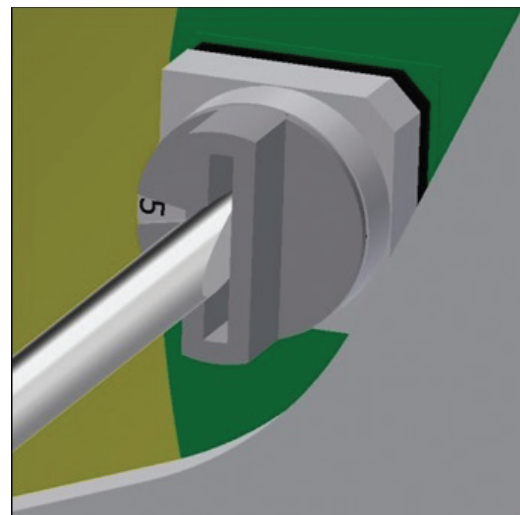
Switch position:

Level 0	Off
Level 1	15/46%
Level 2	48%
Level 3	51%
Level 4	59%
Level 5	62%
Level 6	70%
Level 7	81% Factory Setting
Level 8	96%
Level 9	100%

Refit the beacon over the stem, connect the power lead and fix down with the Tri-head screw.



Switches at position 1



Example turned to position 5

Simmons signs Limited reserves the right to alter or improve this guide without prior notice.

simmons signs.co.uk

+44 (0)7841 052 022
+44 (0)1952 293 333
sales@simmons signs.co.uk

Stafford Park 5
Telford Shropshire
TF3 3AS

Doc Ref: IG125
Issue Date: November 2015
Issue Number: 1