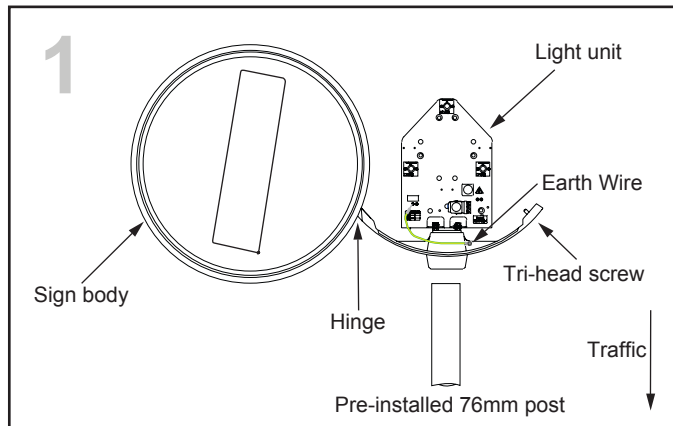


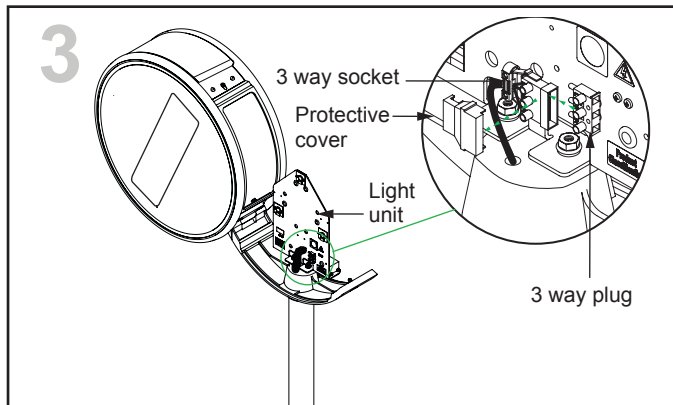
### SAFETY FIRST

Ensure the supply voltage is suitable for the units being installed.  
Isolate the mains power supply before commencing installation.  
Wiring should be carried out in accordance with the latest IEEE regulations by suitably qualified engineers.



The Invinca Double Sided is designed to fit onto a pre-installed 76mm post.

Examine the Invinca Double Sided and determine its orientation when on the post and where the hinge is located. It is good practice to position the sign so that the sign body hinges away from the traffic.



Remove the protective cover from the 3 way socket on the light unit and retain for use later.

Remove the 3 way socket from the 3 way plug on the light unit.

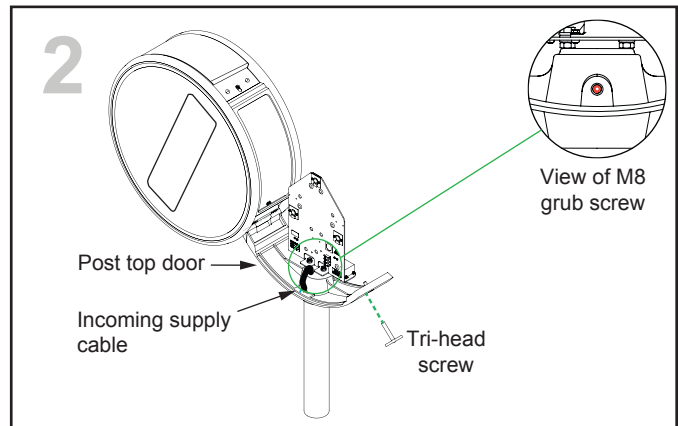
Connect the incoming supply cable to the terminals of the 3 way socket. The spade terminal from the earth cable should be wired into the same terminal as the earth end of the supply cable. Tighten the strain relief clamp supplied with the 3 way socket and ensure it grips the cables outer sheathing.

Securely re-fit the protective cover onto the 3 way socket.

Re-fit the 3 way socket to the 3 way plug.

### TOOLS REQUIRED

Tri-head key	Wire strippers and cutters
13mm spanner	10mm flat bladed screwdriver.
Terminal screwdriver 4mm flat end	Small Phillips screwdriver.
5mm Allen key	



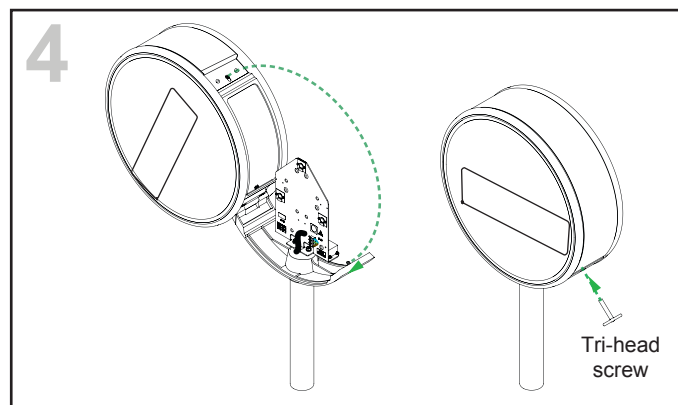
Using a Tri-head key, loosen the Tri-head security screw and hinge the sign body open.

Removing the sign body at this point may aid installation. This is easily done by removing the two M8 slotted countersunk screws securing the sign body to the hinge (see figure 1).

Place the post top door onto the post. It may be necessary to slacken the M8 grub screw for it to clear the post.

Taking note of the sign alignment, tighten the M8 grub screw.

Feed the supply cable through the grommet in the post top door.



Re-fit the sign body to the hinge if removed earlier.

Close the sign body and tighten the Tri-head screw, ensuring that the unit is fully sealed.

Connect the mains power supply and check the Invinca Double Sided is working.

Simmons signs Limited reserves the right to alter or improve this guide without prior notice.