



### DESCRIPTION

Using the time-proven construction and features of the highly successful Safe-Way urban lighting system, the Hermit is the perfect solution for existing ceiling and wall recesses. The Hermit is ideal where high resistance to vandalism is required or where access to the unit is a security issue.

Typical installations include pedestrian underpasses, undercover car parks and stairwells.

An LED upgrade kit is available and is backward compatible with existing Simmons signs Hermit bodies using the existing power supply cable and fixing screws.

The LED Hermit is dimmable using an 8 step rota-switch accessible from the front of the light unit. An optional Dali dimming system is also available.

The unit is supplied with a stippled lens.



### CONSTRUCTION

#### Body

2mm fabricated stainless steel. Gear enclosure IP65 using 25mm gland. IP integrity is independent of installation fixing points.

#### Glazing Frame

3mm fabricated stainless steel, powder coated white. Secured using 6 No. positively captivated and rebated security screws with unique assisted alignment feature, to ease access and replacement. Easily replaceable standard glazing comprises 1 x 10mm polycarbonate panel and a 3mm Polycarbonate stippled graffiti protection lens. Stainless steel double link hinge system for safe and easy maintenance.

#### Light Unit

LED light engine with dimmable driver all mounted to a 2mm aluminium gear tray, polyester powder coated white. Colour temperature is 4,000K, CRI (Ra) 86. All components are fitted to this gear tray.

#### Electrical

Supply : 220 - 240V AC 47-63 Hz.  
Ambient Temperature -20 to +25°C.

### MAINTENANCE

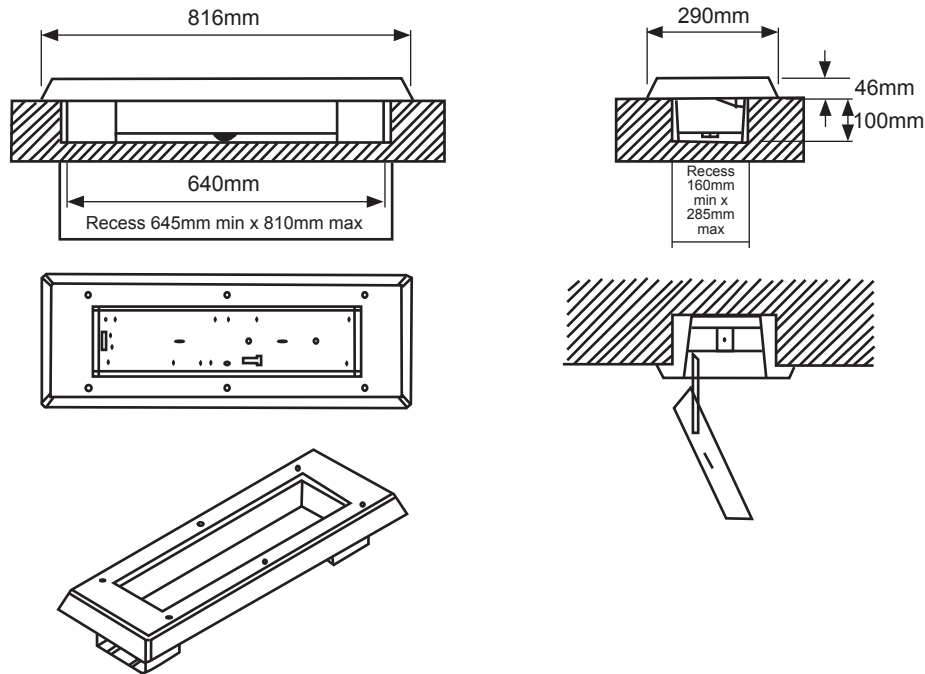
Other than routine cleaning there are no user serviceable parts in this product. The lens may be periodically cleaned with warm soapy water.

### CMS/DIMMING OPTIONS

Telensa.  
Mayflower.  
StarSense.  
External Dali interface.

*Simmons signs Limited reserves the right to alter or improve this guide without prior notice.*

### DIMENSIONS

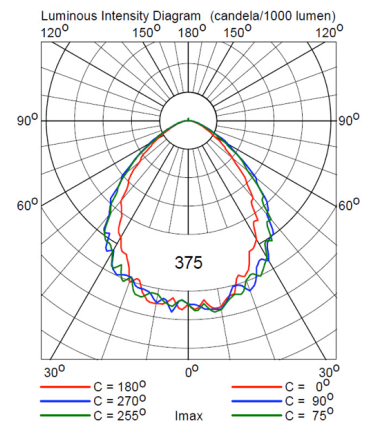


### LIGHTING PERFORMANCE

Setting	Level	Lumen Output	DLOR	ULOR	TLOR	Watt**
0	100%	3927	0.99	0.01	1	53.5
1	15%	546	0.99	0.01	1	7.9
2	25%	1158	0.99	0.01	1	14.3
3	35%	1613	0.99	0.01	1	19.6
4	45%	2090	0.99	0.01	1	24.5
5	57%	2587	0.99	0.01	1	32.1
6	72%	3138	0.99	0.01	1	40.4
7	84%	3645	0.99	0.01	1	48.6

\* Issue of codes imminent

\*\* Total circuit power



### PACKAGING

Product	Weight	Packaging	Dimensions	Pack Quantity
Hermit Complete	15 kg	Carton	84 x 30 x 12 cm	1
Hermit LED Upgrade Kit	1.6 kg	Carton	55 x 15 x 7 cm	1

Simmons signs Limited reserves the right to alter or improve this guide without prior notice.