

### Rebated Mounting onto a New Concrete Foundation.

The rebated foundation fixing kit is the recommended fixing system for the WEEBOL reboundable bollard. Rebating the WEEBOL fixing below finished ground level, offers enhanced protection in the event of an impact. This ensures that the WEEBOL can be replaced with minimum effort.

**Tools you will require**

- 19mm AF Spanner.
- Excavation equipment.
- Spirit Level.
- Concrete mix.

- 1) Identify the site and ensure that it is free from buried services. Be aware that the WEEBOL's performance may be affected by any objects which may impede its movement. Try not to mount it too close to a post which will prevent the WEEBOL from folding flat.
- 2) Prepare a hole 600 x 600 x 210mm deep in firm ground.
- 3) Place the assembled foundation frame in the excavated hole and position so that the fasteners are parallel to the carriageway (see sketch). Ensure that the top edge of the base frame circular moulding is levelled with a spirit level and is in line with the finished ground level.
- 4) Back fill with a good quality concrete mix to recommended installation detail level. Float finish to final concrete level, ensuring that concrete does not spill into the rebated cavity which will prevent the fitting of the WEEBOL.
- 5) When set, remove the 4 no. M12 nuts and washers and position the WEEBOL over the four studs in the rebated cavity with the traffic sign in the required position.
- 6) Replace the washers and nuts and tighten securely.
- 7) Place the 2 halves of the rebate cover around the base of the Weebol.

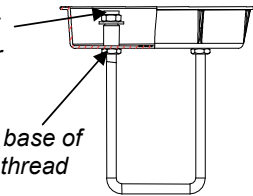
### Other fixing options are available.

#### Replacing the Weebol.

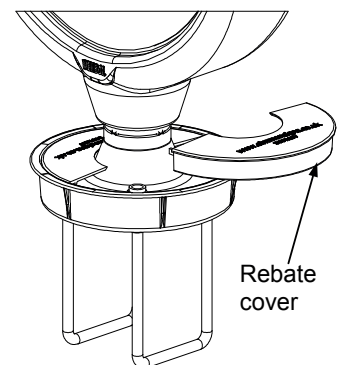
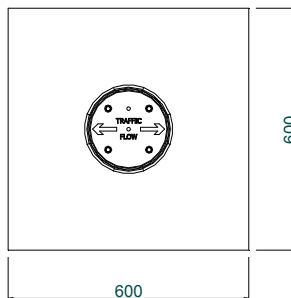
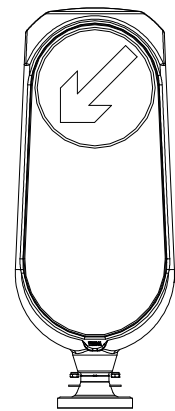
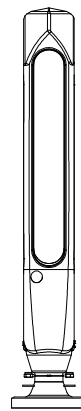
- 1) Remove the 4 washers and nuts.
- 2) Lift the Weebol from the base & replace with a new unit.
- 3) Replace the washers and nuts and tighten securely.
- 4) Replace the 2 halves of the rebate cover.

Nyloc nuts & washers must be secured fully if pre-installing base prior to WEEBOL.

Half nuts to be locked at base of thread to ensure correct thread projection for WEEBOL mounting.



Assembled foundation frame



Rebate cover

**Note: On older installations with non-plastic rebated bases, separate spacers must be refitted onto the four projecting anchor studs prior to refitting the WEEBOL onto it'.**

**Please contact our technical department with your queries or visit our website to view our other products.**

Simmons signs Limited reserves the right to alter or improve this guide without prior notice.