

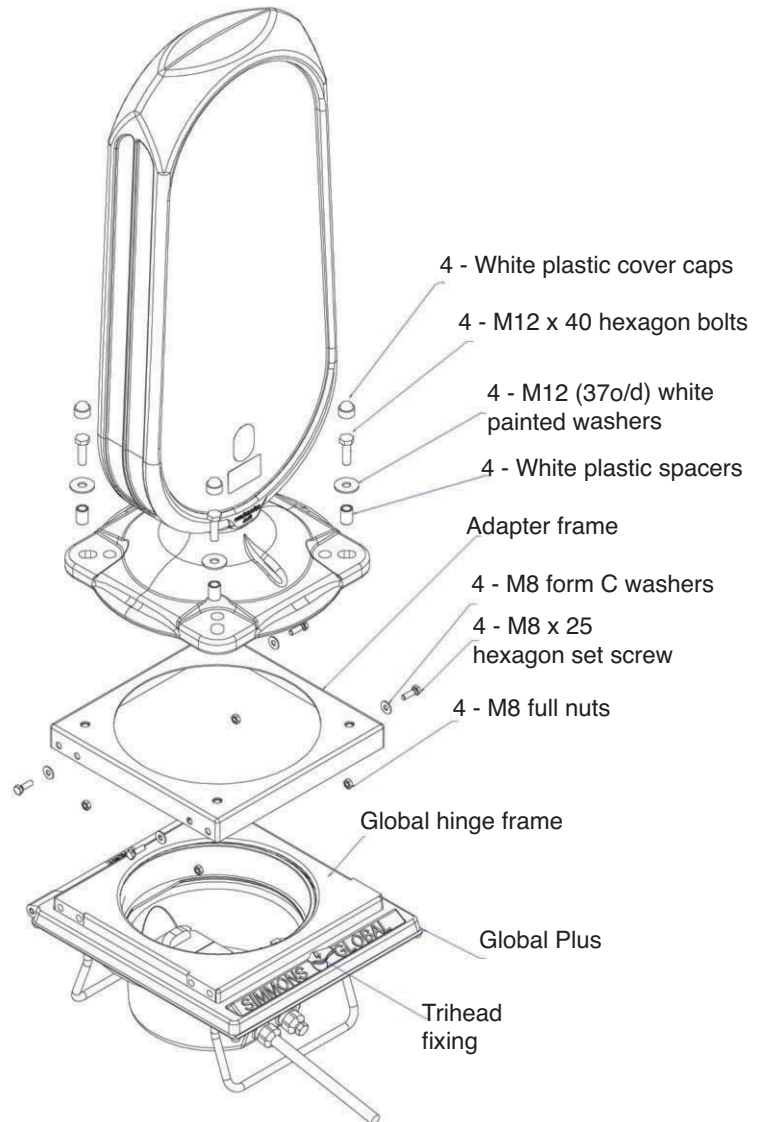
#### Tools required

2 - 13mm A/F combination spanners  
 19mm A/F combination spanner  
 Tri head key  
 Fixing kit required : WBLF/CONV or  
 WBLF/CONV/GLV

**Safety First** - Isolate electrical supply prior to commencing work.

#### Installation

1. Secure the Weebol Flex to the Adapter frame as Fig 2 - ensuring that white plastic spacers have been fitted into the mounting holes and that the orientation of the bollard is correct.
2. Loosen the trihead fixing and open the hinge frame.
3. Remove the existing bollard and retain the lens.
4. Disconnect the light unit safely.
5. Dispose of the bollard and light unit in the correct manner or retain for your convenience.
6. Replace the lens to ensure the base is sealed from water and debris ingress.
7. Secure the Weebol Flex and Adapter frame assembly to the hinge frame - ensure correct orientation and the inner holes are used to secure the adapter to the hinge frame.
8. Close and secure the hinge frame.



*Simmons signs Limited reserves the right to alter or improve this guide without prior notice.*