

### SAFETY FIRST

Please ensure a full risk assessment has been carried out before commencing any work on site.

### TOOLS REQUIRED

2 x 13mm AF Spanners  
Tri-head Key

### INSTALLATION

1. Remove the protective dust cover from the Tri-head security screw at the rear of the base then using a Tri-head key, unscrew the single security fastener and hinge the lens frame forward.

2. If replacing an existing bollard first remove the old bollard by unscrewing the 4 off M8 x 30 hex head screws. Release and Dispose of the old bollard in the appropriate waste stream.

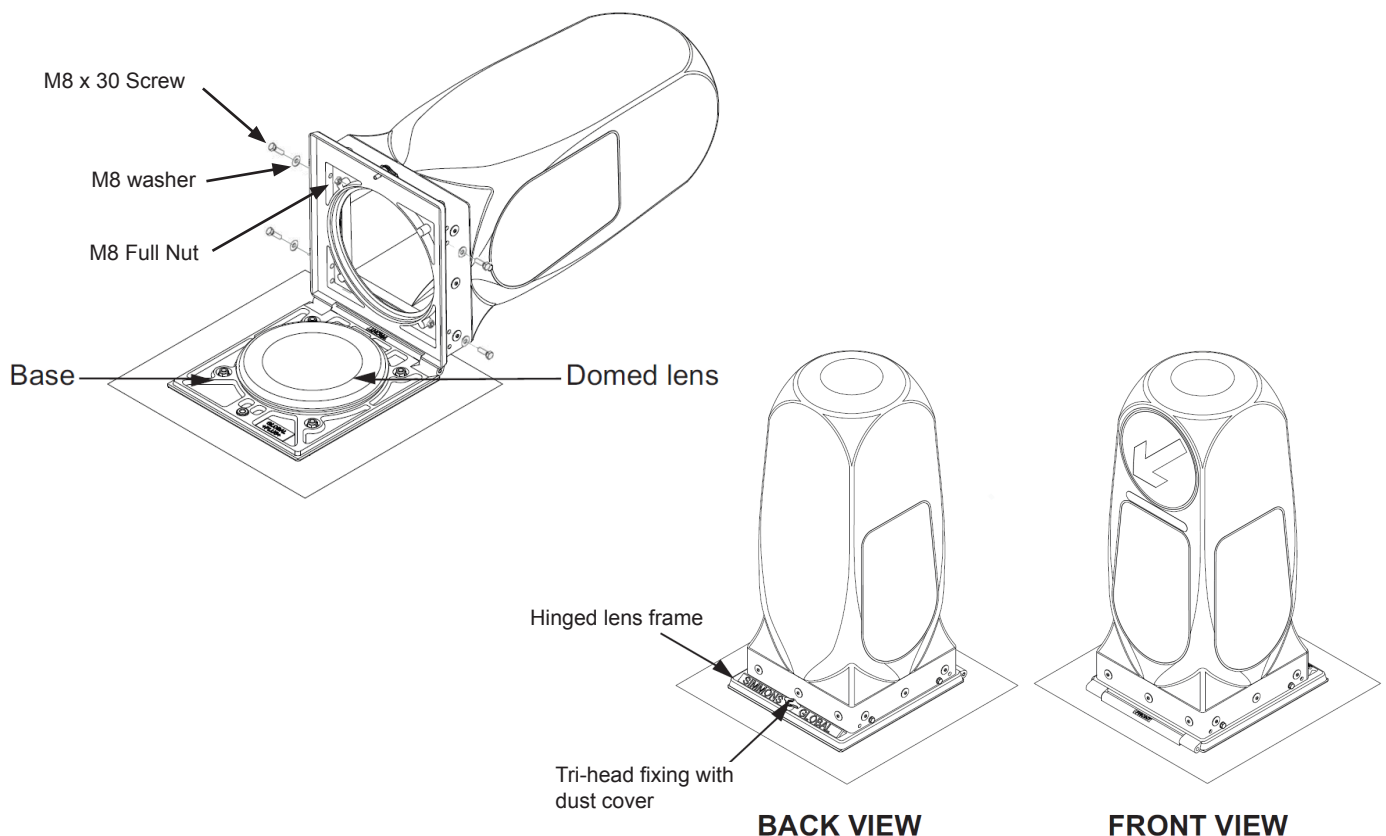
Take the opportunity to clean the domed lens and lens frame.

3. Position the new SIMBOL or CONTOUR bollard on the hinged frame ensuring the correct orientation regarding traffic.

4. Using the inner pairs of holes, replace the four M8 x 30 hex head screws with washers under the head and nuts on the inside of the base.

5. Close the hinged lens frame with bollard attached and secure with the Tri-head retainer.

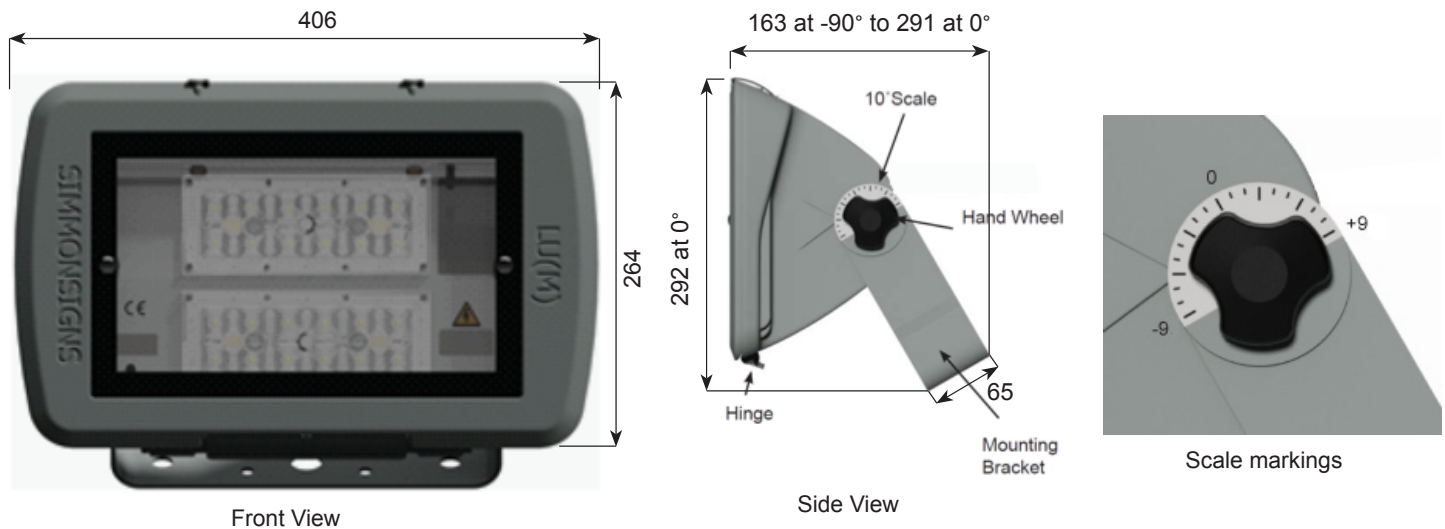
6. Replace the dust cover.



*Simmons Limited reserves the right to alter or improve this guide without prior notice.*

4. Connect the pre-wired cable into a suitable fused termination which may be in a supplementary feeder pillar or a termination mounted on the supporting structure. The mains version is designed for connection to a 230VAC 50Hz supply. The product **MUST** be earthed for both functional and safety purposes.

5. When using the SELV version of the LU(M) a driver is provided which can be mounted in a separate feeder pillar and subsequently connected to the pre-wired LU(M).



|  |   |
|--|---|
| <b>Weight:</b>                         | 12.7 kg   |
| <b>Maximum wind force area:</b>        | 97,809mm <sup>2</sup>                                       |
| <b>Mounting bolt torque setting:</b>   | M8 fixings : 15Nm<br>M12 fixings : 60Nm                     |
| <b>IP rating:</b>                      | IP66 (IP20 when front cover open)                           |
| <b>IK rating:</b>                      | IK07  |
| <b>Minimum ambient temperature:</b>    | -20°C   |
| <b>Maximum ambient temperature:</b>    | +40°C   |
| <b>Max Mounting height / altitude:</b> | 12 metres above the road deck / 250 metres above sea level. |
| <b>Unit power consumption:</b>         | 41watts   |
| <b>Operating Voltage:</b>              | 230Vac 50 Hz  |
| <b>Note:</b>                           | This luminaire is suitable for mounting in any position.    |

Simmons signs Limited reserves the right to alter or improve this guide without prior notice.