

SAFETY FIRST

Please ensure a full risk assessment has been carried out before commencing any work on site.

TOOLS REQUIRED

2 x 13mm AF Spanners
Tri-head Key

INSTALLATION

1. Remove the protective dust cover from the Tri-head security screw at the rear of the base then using a Tri-head key, unscrew the single security fastener and hinge the lens frame forward.

2. If replacing an existing bollard first remove the old bollard by unscrewing the 4 off M8 x 30 hex head screws. Release and Dispose of the old bollard in the appropriate waste stream.

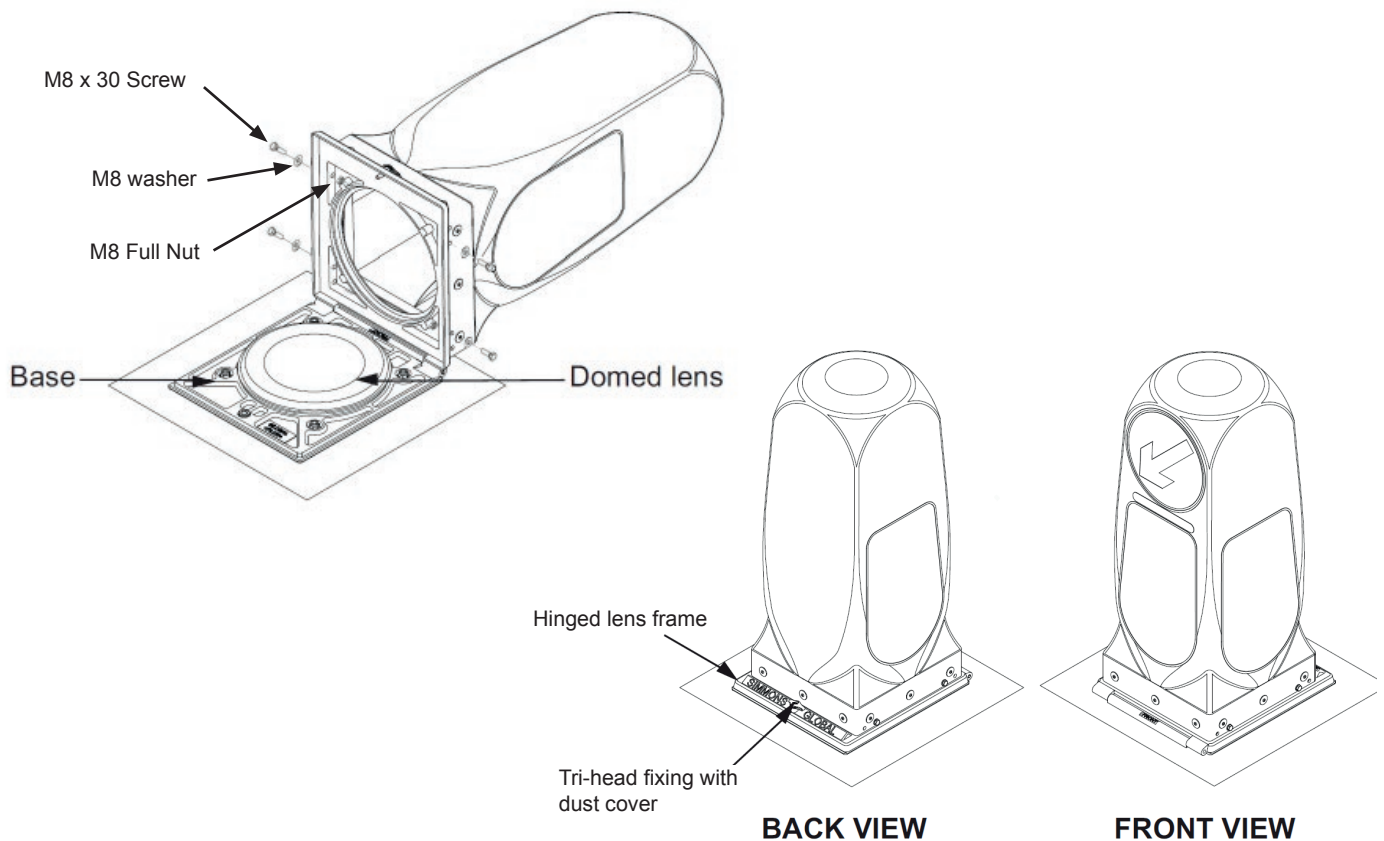
Take the opportunity to clean the domed lens and lens frame.

3. Position the new SIMBOL or CONTOUR bollard on the hinged frame ensuring the correct orientation regarding traffic.

4. Using the inner pairs of holes, replace the four M8 x 30 hex head screws with washers under the head and nuts on the inside of the base.

5. Close the hinged lens frame with bollard attached and secure with the Tri-head retainer.

6. Replace the dust cover.



Simmons Limited reserves the right to alter or improve this guide without prior notice.

simmons.co.uk

+44 (0)7841 052 022
+44 (0)1952 293 333
sales@simmons.co.uk

Stafford Park 5
Telford Shropshire
TF3 3AS

Doc Ref: IG166
Issue Date: December 2016
Issue Number: 1