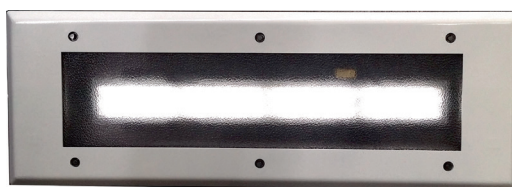


DESCRIPTION

The Safe-Way is ideal where high resistance to vandalism is required or where access to the unit is a security issue. Typical installations include pedestrian underpasses, undercover car parks and stairwells. The Safe-Way has been tested against vandalism in accordance with BS EN 62262:2002 clause 6. The level reached was IK10 (50 Joules) which exceeds the standard test by 30 Joules (150%).



LIGHTING EQUIPMENT

LED

- EcoSafelight LED array.
- Single IP67 LED driver with 0.9 power factor correction.
- Maximum 30 Watt total energy consumption (dimnable) [see table below].

OPTIONS

Full range of powder coated stainless steel infill panels and end caps for varying installation configurations.

A range of cornice, recessed and surface fixings.

CONSTRUCTION

Body

2mm fabricated stainless steel. Gear enclosure IP65 certified using supplied 25mm glands. IP integrity is independent of installation fixing points.

Glazing Frame

3mm fabricated stainless steel, powder coated white. Secured using 6 No. positively captivated and rebated security screws, with unique assisted alignment feature, to ease access and replacement. Easily replaceable standard glazing comprises 1x10mm polycarbonate panel with 1mm graffiti protection screen. Stainless steel double link hinge system for safe and easy maintenance.

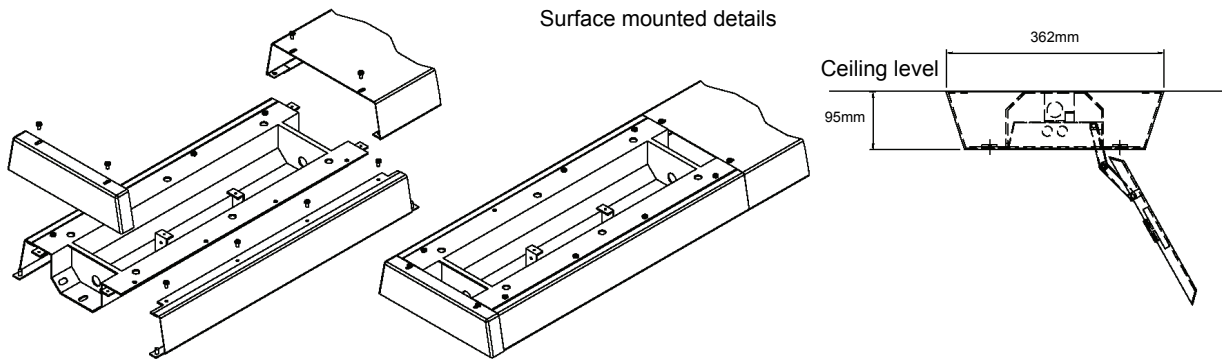
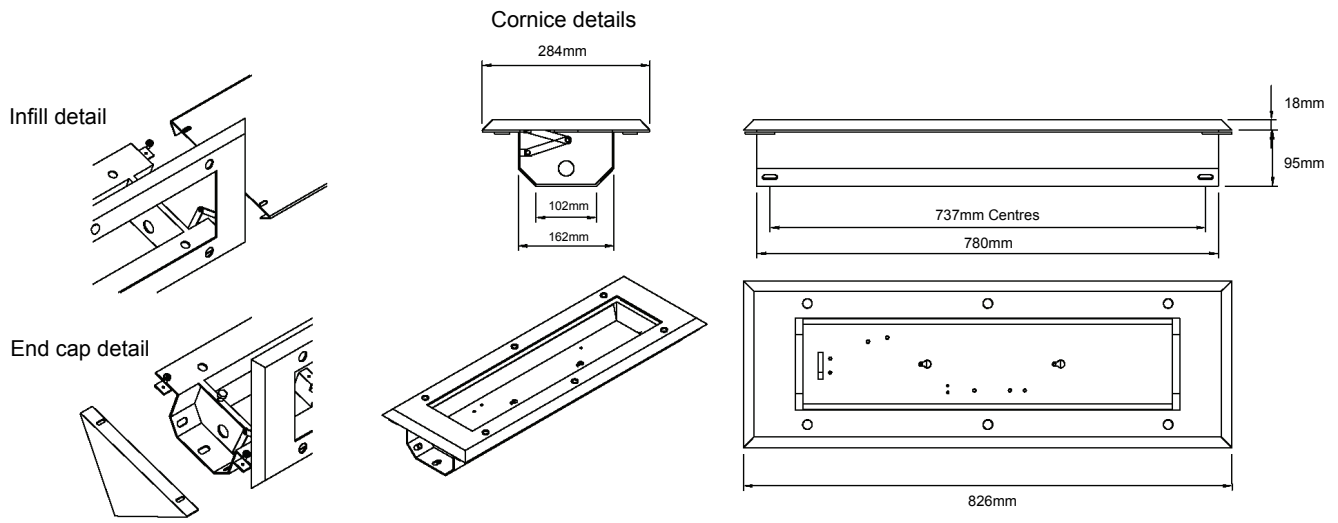
	SWLV/780/7*	SWLV/780/6**
Light Option	LED	LED
Light Source	104 LEDs in strings of 4	104 LEDs in strings of 4
Power (W)	24	20
Operation Voltage	230V ac	230V ac
Guarantee (yr)	3	3

Note - Improvements in LED technology may result in a change of this information.

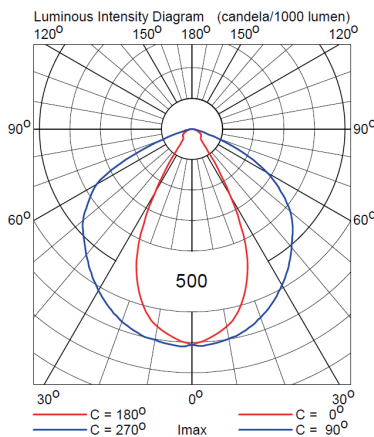
* 55w PL-L Equivalent

** 40w PL-L Equivalent

Simmons signs Limited reserves the right to alter or improve this guide without prior notice.



EcoSafelight/Clear lens



EcoSafelight operating temperature -25 to +25°C ambient.

Dimming Summary

Ambient Temperature - 25°C BS5225 test conditions							
EcoSafelight	Setting	Total Lumen output (Clear lens)	DLOR	ULOR	TLOR	Watt*	DLOR x Lumen output (Clear lens)
	7*	2300	1	0	1	24	2300
	6**	1940	1	0	1	20	1940
	5	1630	1	0	1	17	1630
	4	1390	1	0	1	14	1390
	3	1150	1	0	1	12	1150
	2	810	1	0	1	9	810
	1	280	1	0	1	4	280
	0	2940	1	0	1	30	2940

* 55w PL-L Equivalent

** 40w PL-L Equivalent

Definitions

DLOR = downward light output ratio

ULOR = upward light output ratio

TLOR = total light output ratio

*Total circuit power

Simmons signs Limited reserves the right to alter or improve this guide without prior notice.