

## DESCRIPTION

### PULSA LED | SMART PULSA | GPRS PULSA

A range of LED School Crossing Signals, utilising an extremely robust enclosure and fixing system, with long life, low energy LED light sources and a choice of secure and convenient switching options. This system is virtually maintenance free and has a proven history of vandal resistance, offering a long service life alongside a very low running cost. Designed in accordance with TSRGD - Ref 4004.

## CONSTRUCTION

<b>Body</b>	Rotationally moulded self-coloured black high impact UV stabilised polyethylene, with a 5mm nominal wall. Magnetically operated concealed switch.
<b>Access Door</b>	Die cast LM6-M aluminium, degreased chromate primed and polyester powder coated black, incorporating Vari-fix or horizontal channel mounting. Stainless steel hinged anti-tamper access with retained stainless steel tri-head screw security and high performance silicon rubber seal.
<b>Lens Hoods</b>	Die cast LM6-M aluminium, degreased chromate primed and polyester powder coated black.
<b>Lens</b>	5mm thick high impact UV stabilised polycarbonate.
<b>LED Array</b>	Super high intensity 5mm LEDs with 64 @ 17° angle spread in the centre cluster and 32 @ 30° in the outer ring. Flash rate nominally 75 / minute.
<b>Control Board</b>	Purpose designed LED control circuitry, conformally coated for moisture protection and mounted on a quick release system. Configurable switching options (see switching options table).
<b>Mounting Hardware</b>	All external fasteners are stainless steel. Vari-fix U-Bolt sets available in 76mm, 89mm and 114mm. Vari-Banding cleats. Twist in toggles (horizontally mounted units only).

Simmons signs Limited reserves the right to alter or improve this guide without prior notice.

### POWER REQUIREMENTS

	Pulsa LED	Smart Pulsa	GPRS Pulsa
<b>Light Source</b>	LED Array	LED Array	LED Array
<b>UMSUG Code</b>	79 4700 8000 100	79 4700 4000 100	T.B.A.
<b>UMSUG Power (Nominal W)</b>	8W	4W	T.B.A.
<b>Operation Voltage</b>	240V AC Only	240V AC / 12V DC	240V AC / 12V DC
<b>Guarantee (yr)</b>	2	2	2

### SWITCHING OPTIONS

	Permanent	Swipe-On Swipe-Off	Self Timer	Simpod	Internet	Text	Telensa Node
<b>Description</b>	Operates when power is applied and stops when power is removed.	Requires a swipe to start and continues to operate until swiped again.	Requires a swipe to start and continues to operate until pre-set time has been reached.	2 year programmable timer using Simpod wireless programming kit.	Internet based programming using GPRS mobile communication technology.	Send text message from mobile phone to activate.	Controlled over 3rd party network
<b>PULSA LED</b>	●	●	●	X	X	X	●
<b>SMART PULSA</b>	●	●	● S	● S	X	X	X
<b>GPRS PULSA</b>	●	●	● S	● S	● S	● S	X

● Standard configurable feature   X Not supported   S Solar Version Available

**Note: Solar powered systems are available for operation up to 3 hours per day, 5 days per week and up to 12 days autonomy if no battery charge is received.**

### PROGRAMMING

#### SIMPOD PROGRAMMING KIT

The SIMPOD is a purpose designed data transfer device, allowing computer generated switching information to be downloaded and taken to site. Once on site the SIMPOD uses ZIGBEE wireless technology to communicate with the nearest Smart Pulsa and uploads the switching information without the need to open the unit. The SIMPOD is supplied with serial cable, USB adaptor and software.

<b>Capacity</b>	16 x 2 year calendars
<b>Range</b>	Up to 3 metres (adjustable)
<b>Battery</b>	9V PP3 (supplied)
<b>Dimensions</b>	135 x 70 x 25mm
<b>Software</b>	Requires Windows XP or above.

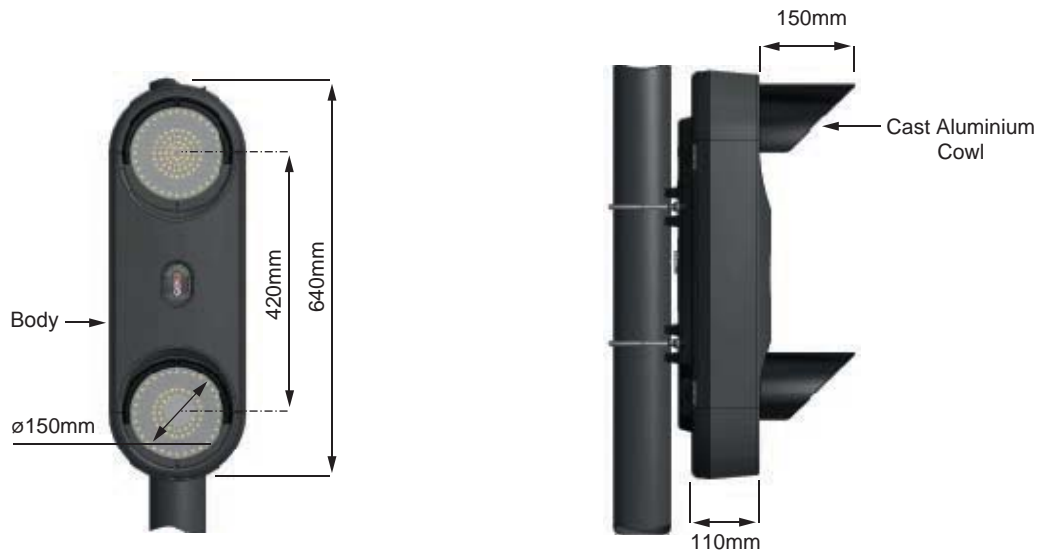


#### WEB BASED PROGRAMMING

The GPRS Pulsa communicates directly with our specially developed web site. This enables remote programming and interrogation of the GPRS Pulsa, which in turn polls operational reports back at set times. In the event of a malfunction, the GPRS Pulsa can send a text or e-mail alert to up to 3 nominated recipients. The web site can be accessed via the following browsers: Internet Explorer 7,8,9 - Safari 5 - Mozilla Firefox 8,9,10,11 - Opera 11. The web site is also compatible with browsers on iOS and Android.



Simmons signs Limited reserves the right to alter or improve this guide without prior notice.



Horizontal Mounting Option

### PACKAGING DETAILS

Product	Weight	Packing	Dimensions
<b>Pulsa</b>	6.25 kg	Carton	26 x 31 x 66cm
<b>Simpod Kit</b>	0.4 kg	Carton	15 x 5 x 20cm

### RELATED PRODUCT



**Solar Kit**

Simmons signs Limited reserves the right to alter or improve this guide without prior notice.