



DESCRIPTION

The POST-IS Speed Watch is a carefully packaged speed activated warning sign, discrete when not activated but very effective when illuminated. When approached by speeding drivers, it provides a prominent reminder of the relevant speed limit.



OPTIONS

- Single side or double sided.
- Pre configured distance range.
- Pre configured speed.
- Speed options 20,30 or 40mph.
- Option for miles per hour or kilometres per hour.

CONSTRUCTION

Outer Casing

Diecast LM6-M aluminium, acid cleaned, chromate primed and polyester powder-coated. All threads stainless steel bushed.

Lens

Replaceable 5mm thick UV stabilised polycarbonate. Lens incorporates high performance seal providing IP54 rated gear enclosure.

Post fixings

Range of extruded aluminium clips available to fit 76, 89 and 114mm circular posts. Clips powder coated and supplied with stainless steel fasteners.

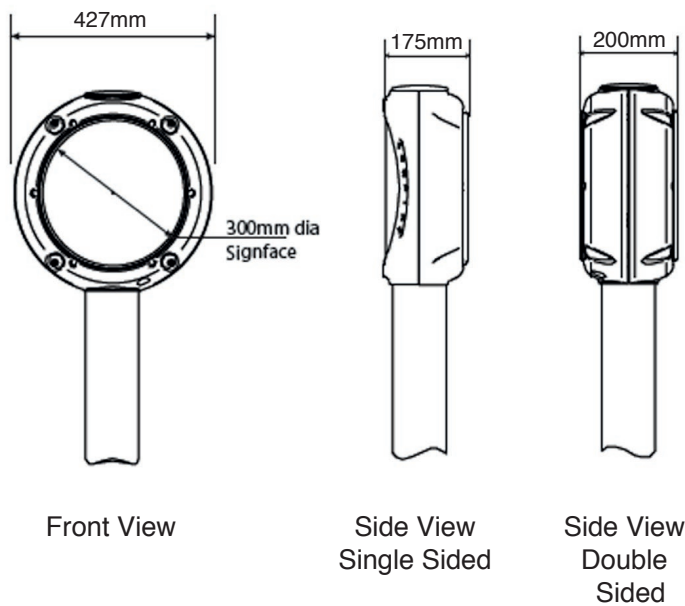
Settings

Nine built-in user selectable speed detection thresholds plus one custom programmable slot. User adjustment of sensitivity or distance range for specific site topography and local conditions. RS422 programming interface available.

Simmons signs Limited reserves the right to alter or improve this guide without prior notice.

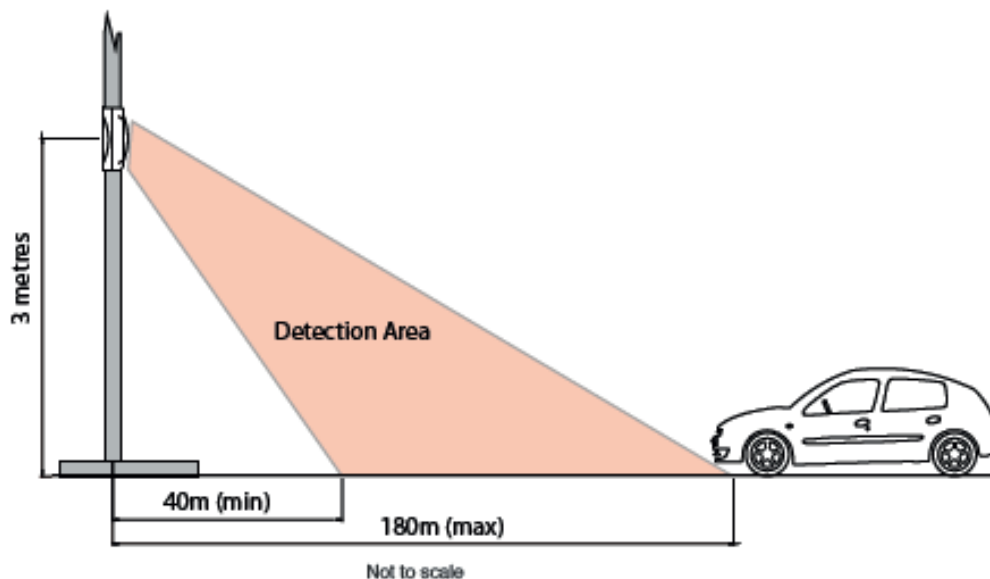
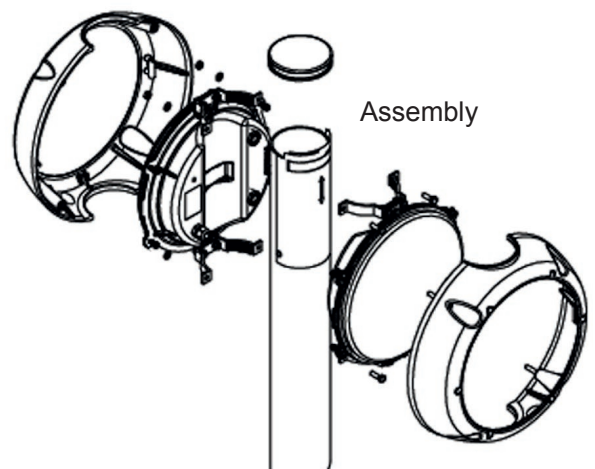
GEAR ENCLOSURE

Diecast LM6-M aluminum, acid cleaned, chromate primed and polyester powder-coated. All threads stainless steel bushed.



GEAR TRAY

Replaceable gear tray with long design life LEDs and selectable light output with night time dimming. Maximum power consumption 13 watts per side only when activated, 2 watts per side in standby. 24 V AC operation.



Simmons signs Limited reserves the right to alter or improve this guide without prior notice.