

SAFETY FIRST

Please ensure a full risk assessment has been carried out before commencing any work on site.

TOOLS REQUIRED

8mm Allen Key

INSTALLATION

1. If required, separate and remove the existing bollard shell from the installed LumiFlex base light by unscrewing the four M12 socket screws using the 8mm Allen key and retain the 4 screws, washers and Nylon spacers.

Dispose of the old bollard in the appropriate waste stream.

2. Position the new the LumiFlex bollard over the 4 fixing points ensuring the correct orientation with regard to traffic.
3. Replace the four dome head socket screws, ensuring that washers and spacers are used as shown (Fig 1)

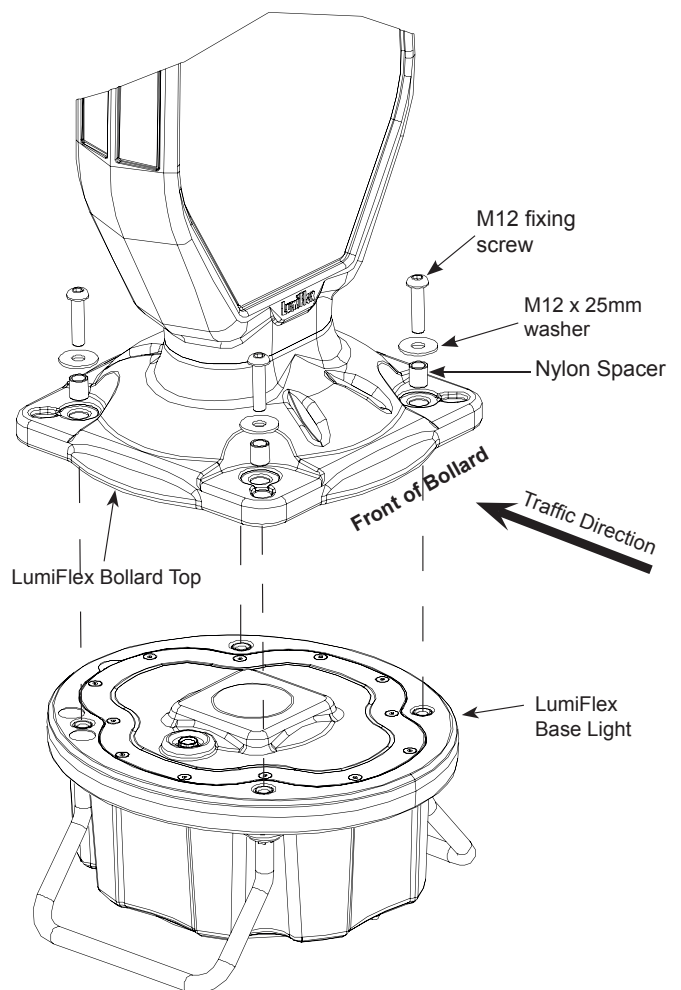


Fig. 1

Simmons signs Limited reserves the right to alter or improve this guide without prior notice.