

SAFETY FIRST

Isolate the mains electrical supply before commencing installation.

All electrical work must be carried out in accordance with the latest IET wiring regulations (BS7671) by suitably qualified engineers.

Do not stare at the operating light source.



Minimum distance between the front of the luminaire and the nearest lighted object.



This unit must be connected to a 50Hz AC supply



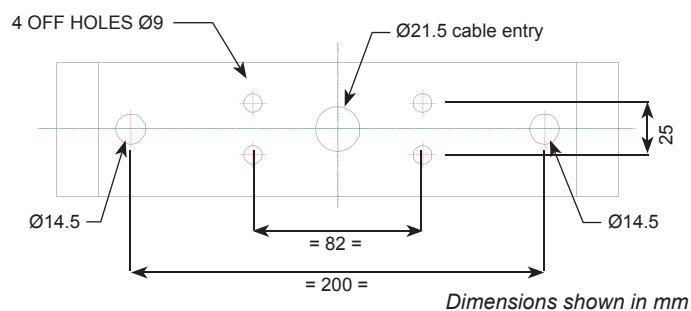
If the supply cable is damaged it should be replaced by the manufacturer, service agent or similar qualified persons only.

INSTALLATION

Please ensure this guide is read in conjunction with a site specific lighting design. Please contact Simmons signs if you require a copy of the lighting design.

The LU(M) is a high performance LED lighting unit supplied with a graduated mounting bracket, pre-fitted cable and is available in 230VAC and SELV versions. The LU(M) is supplied with a lighting design which details the position and angular settings for each unit. The SELV version also includes a circuit diagram.

1. Referring to the lighting design, create a support structure with the provision for fixing the LU(M) and accommodating the cables and/or cable termination. Hole fixing centres of the LU(M) bracket are shown below.



2. Mount the LU(M) onto the supporting structure. Two sets of fixing holes are provided to use a choice of either 4 x M8 or 2 x M12 A2 stainless steel fixings. The length of the fixings should suit the mounting structure and include A4 Stainless steel self locking nuts and penny washers. The fixings should be tightened to a torque of 15Nm if using M8 fixings and 60 Nm if using M12 fixings.

3. Adjust the graduated mounting bracket to the setting shown on the lighting plan. The bracket has a scale marked on one end and can be locked at 10° increments

The bracket provides 180° of movement. When positioning the lighting unit give consideration to the hinge position which should allow the lens frame to hinge down during future maintenance.

To adjust the angle, loosen the hand wheel on the opposite side to the scale.

Use one hand to steady the lighting unit and control the tilt, while the other hand loosens the remaining hand wheel. Tilt the lighting unit to the desired angle and lock by re-tightening the hand wheel. Once locked the unit can be released and the other hand wheel tightened.

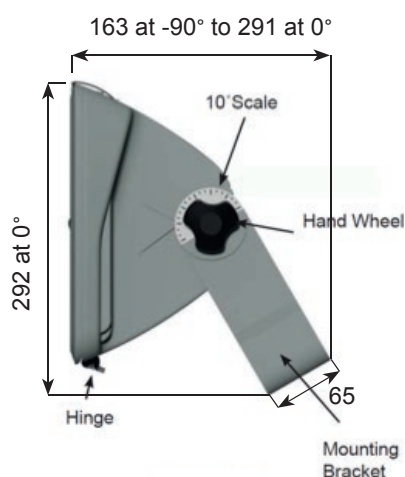
Simmons signs Limited reserves the right to alter or improve this guide without prior notice.

4. Connect the pre-wired cable into a suitable fused termination which may be in a supplementary feeder pillar or a termination mounted on the supporting structure. The mains version is designed for connection to a 230VAC 50Hz supply. The product **MUST** be earthed for both functional and safety purposes.

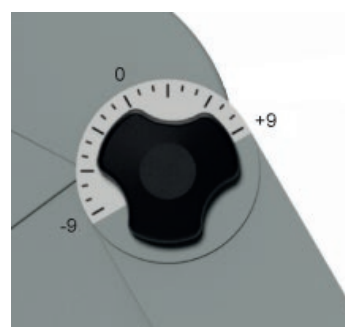
5. When using the SELV version of the LU(M) a driver is provided which can be mounted in a separate feeder pillar and subsequently connected to the pre-wired LU(M).



Front View



Side View

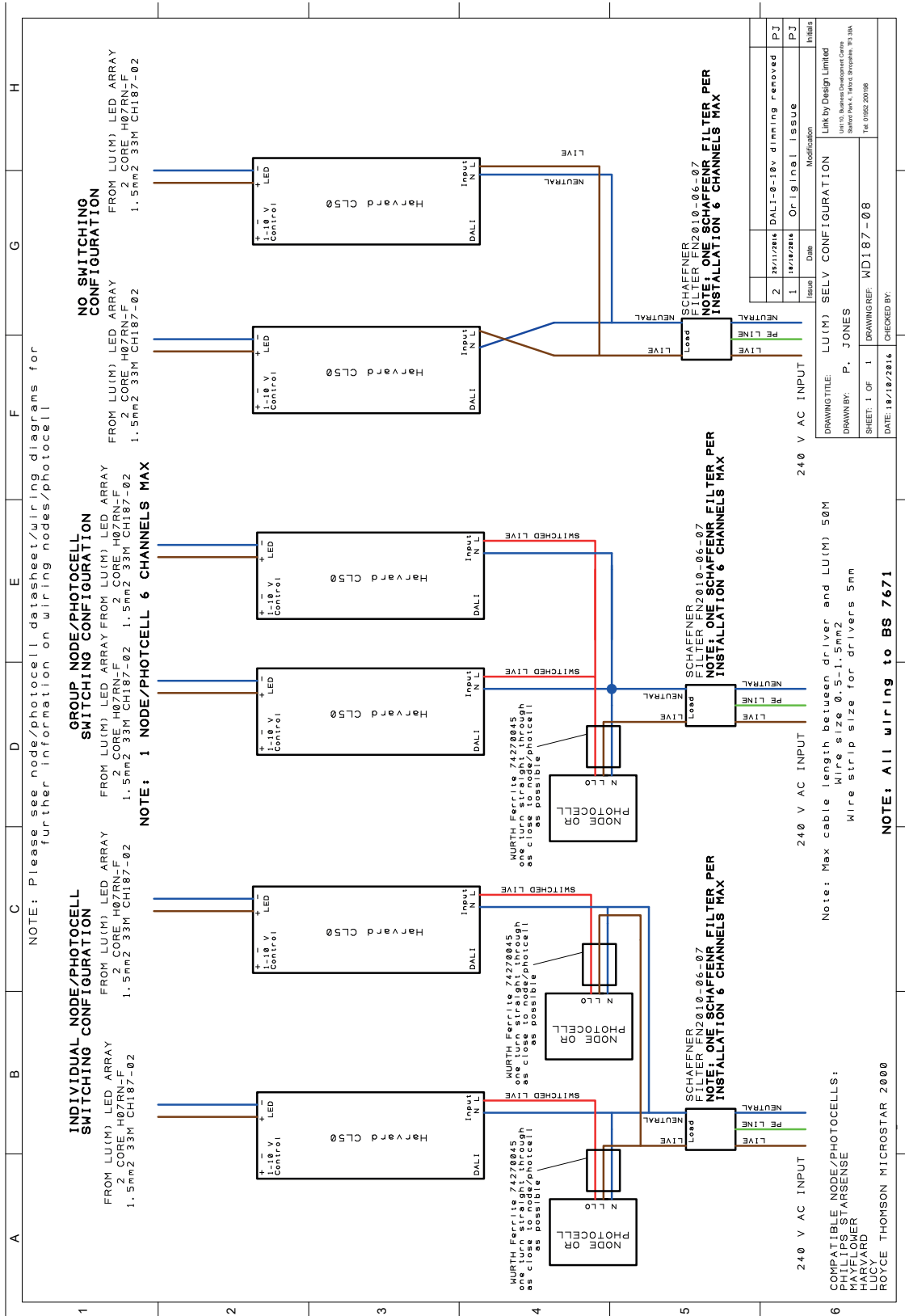


Scale markings

Dimensions shown in mm

Weight:	12.7 kg
Maximum wind force area:	97,809mm ²
Mounting bolt torque setting:	M8 fixings : 15Nm M12 fixings : 60Nm
IP rating:	IP66 (IP20 when front cover open)
IK rating:	IK07
Minimum ambient temperature:	-20°C
Maximum ambient temperature:	+40°C
Max Mounting height / altitude:	12 metres above the road deck / 250 metres above sea level.
Unit power consumption:	41watts
Operating Voltage:	230Vac 50 Hz
Note:	This luminaire is suitable for mounting in any position.

Simmons signs Limited reserves the right to alter or improve this guide without prior notice.



Simmons signs Limited reserves the right to alter or improve this guide without prior notice.