

DESCRIPTION

The LUB MKT is a proven signlight system, with over 20 years development and field use. It features a robust cast aluminium head which fits to a range of anti-rotational fixing bracketry, to meet all site fixing requirements.

CONSTRUCTION

Body & Lens Frame

Die Cast LM6-M aluminium, acid cleaned, chromate primed and polyester powder-coated Aircraft Grey to BS381C : 1980 No. 693. All threads stainless steel bushed.

Lens

Fully supported 3mm stippled polycarbonate for the LED unit.

Mounting

Range of anti-rotational mounting options.

Lighting Equipment

LED – Long life LEDs mounted on a removable geartray painted white. IP67 electronic driver with a >0.9 power factor correction.

FIXING BRACKETS



Post top single
76, 89 or 114mm



Post top double
76, 89 or 114mm



Clamp round
140mm bracket
(single)



Clamp round
140mm bracket
(double)



Three band channel
Use with Tespa
banding
(not supplied)



Uniclip and Keep
76, 89 or 114mm
Set of 2



Set of 4 Uniclips
76, 89 or 114mm



Wall mounting
plate

OPTIONS

Integral photocell.
Remote monitoring equipment.
Black finish.
Other paint finishes on request.
Other bracket sizes.

RELATED PRODUCTS



LUA

PACKAGING

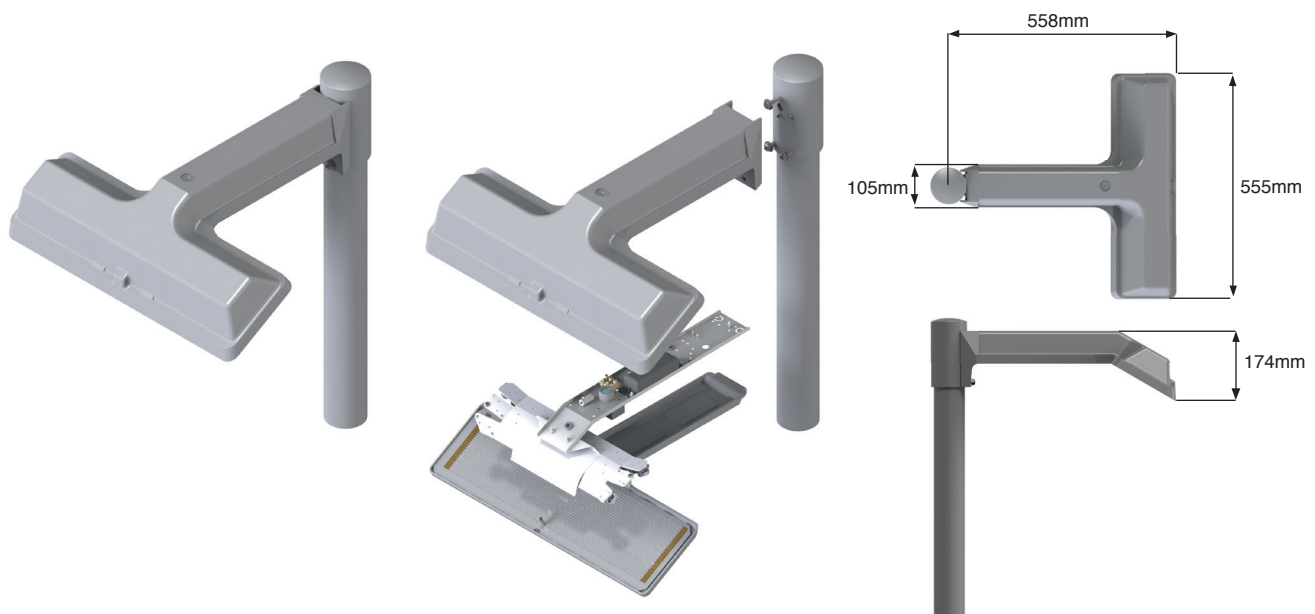
Product	Weight	Packing	Dimensions	Pack Quantity
LUB unit	7.15 KG	Carton	55 x 55 x 16cm	1

Simmons signs Limited reserves the right to alter or improve this guide without prior notice.

LED*		
Voltage	240V	24V
Light Source	10 x 1W	10 x 1W
Power (Nominal W)	14	19
Guarantee (yr)**	2	2

* Improvements in LED technology may result in a change to this information.

** The guarantee relates to the unit only, it does not include the photocell guarantee.



Simmons signs Limited reserves the right to alter or improve this guide without prior notice.