

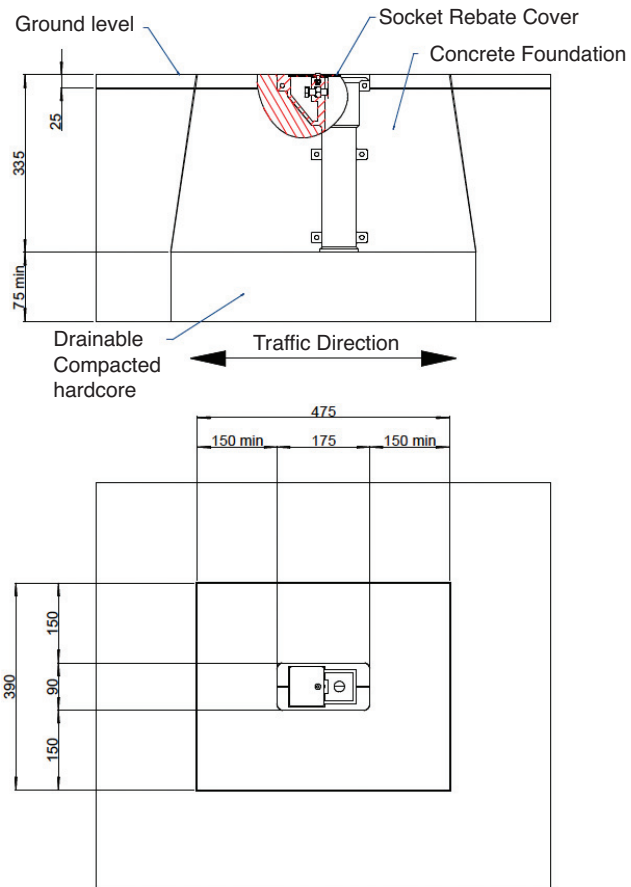
GUIDE POST FDN FIT

Safety First

Ensure the site has been surveyed for buried services before commencing excavation.

Foundation Preparation

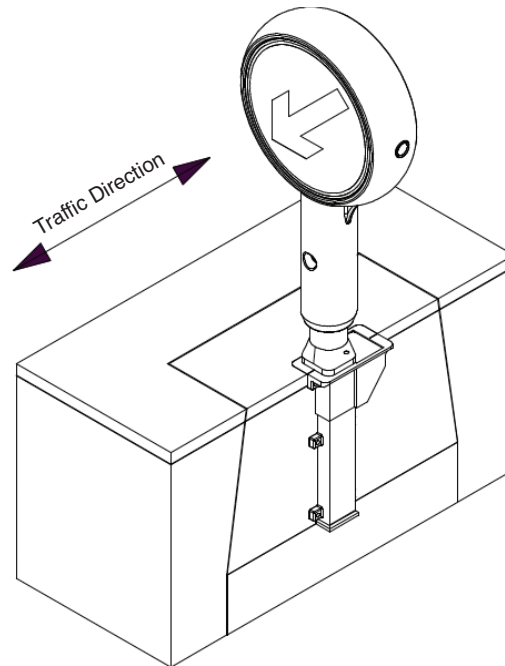
1. Excavate a hole 475mm x 390mm x 410mm minimum depth.
2. Fill the hole with a drainable compacted hardcore to 335mm away from the ground level.
4. Place the RS50x50 Retaining Socket in the centre of the hole.
5. Ensure the RS50x50 Retaining Socket is in a vertical position using a short section of 50x50 RHS and a spirit level.
6. Fill the foundation with at least grade ST4/C25 concrete mix, removing air pockets with a vibrating poker, up to within 25mm of the top of the socket to allow for final surfacing.
7. Remove the 50x50 RHS and replace the Socket Rebate Cover.



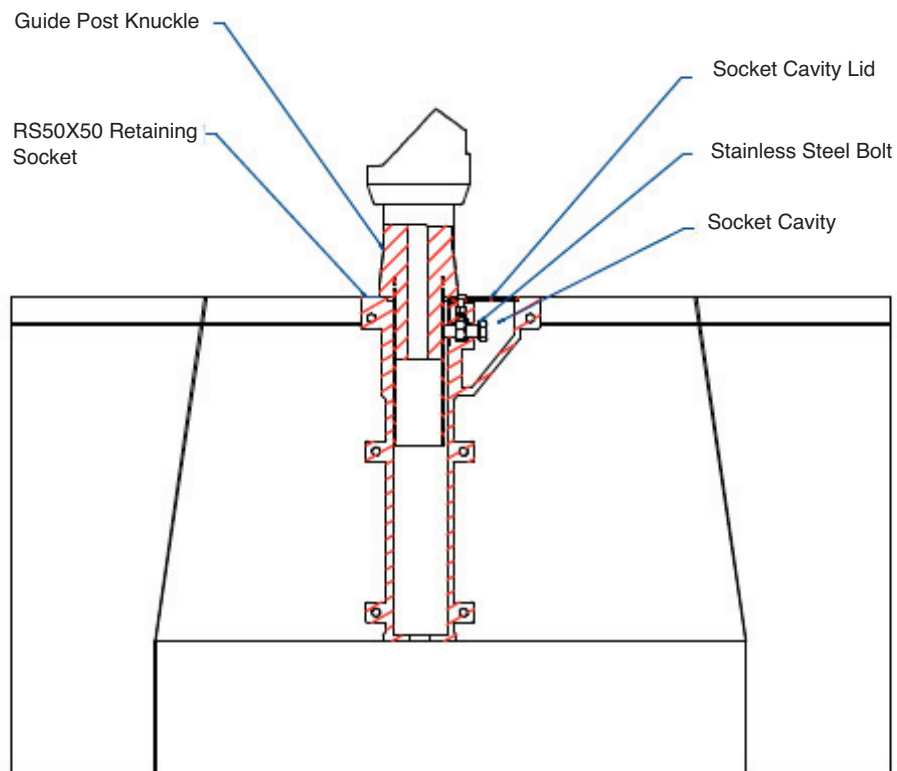
Installing the Guide Post

1. Once the foundation is set place the Guide Post into the socket and secure the stainless steel bolt against the Guide Post lower socket.
2. Retain the Socket Rebate Cover in the socket cavity and replace the Socket Cavity Lid.
3. Check that the Guide Post is in a vertical position.

Note: If the surrounding ground is loose or uncompacted then a wider/deeper concrete foundation should be used.



Simmons signs Limited reserves the right to alter or improve this guide without prior notice.



Simmons signs Limited reserves the right to alter or improve this guide without prior notice.