

DESCRIPTION

With the ever increasing cost of new works installations and maintenance, the GLOBAL baselight is a proven bollard lighting system which endures the rigours of road-side abuse and enables simple, effective maintenance, when required.

CONSTRUCTION

Body and Frame

Die cast LM6-M alloy.

Hinge System

7.5mm solid stainless steel (316) rod, running in cast-in stainless steel (304) tubular bushes.

Lock

M8 stainless steel (304) Tri-head penetrating cast-in stainless steel (A4) M8 threaded fixing on base casing.

Fuse Board

250mm x 160mm x 12.5mm thick non-hygroscopic plywood, bolted to the bottom of the base.

Lens and Seal

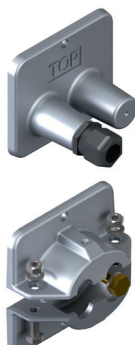
Domed 5mm thick, UV stabilised, injection moulded polycarbonate lens incorporating a UV stabilised, high performance seal. A compression control feature protects against over compression for a maintainable IP67 rating.

Cable Entry

Standard - 2 no. IP68 nylon variable cable glands fitted as standard (one blanked) accepting a cable diameter between 8mm and 17mm. Glands can be tightened from within the base after installation. (A purpose designed spanner is available to purchase from Simmons signs)

OPTIONS

Cable Entry



Turret – Cast aluminium twin turret allows cable sealing using heat shrink tubing. Maximum cable diameter 20mm.

Subseal – Unique cast aluminium twin cable journal clamp designed for reinstating and sealing existing board cut-outs into new baselights. Sealed by injecting silicone into the cable support chamber. Silicone type to be waterproof to BS5889 Type B.

Fuse Board

Double-fuse board.

Safety

Double-pole isolator - isolates power to light unit as lens is removed.


Control

Infrared photo-electric cell - various manufacturers.

Remote monitoring module - various manufacturers.

Simmons signs Limited reserves the right to alter or improve this guide without prior notice.

LIGHTING EQUIPMENT

LED 				
Voltage	240V AC		24V AC	
Light Source	10 x 1W*	3 x 1W	10 x 1W*	3 x 1W
Power (W)*	14W	6W	19W	7W
Warranty (yr)	2	2	2	2

LED and optical array mounted on a thermally engineered removable light unit.

Single IP67 electronic driver with ≥ 0.85 power factor correction. Note: the 10 x 1W has 2 drivers.

All components are fitted to a 2mm thick aluminium light unit, polyester powder coated white and have removable stainless steel fixings for easy replacement.

Please note: Improvements in LED technology may result in a change to this information.

*Available configured as an uplighter.

PACKAGING DETAILS

Product	Weight	Packing	Dimensions	Pack Quantity
Global	12.5kg	Carton	46.5 x 41 x 23 cm	1

RELATED PRODUCTS



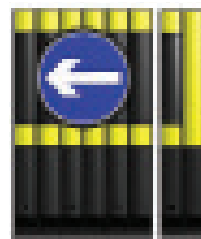
SIMBOL



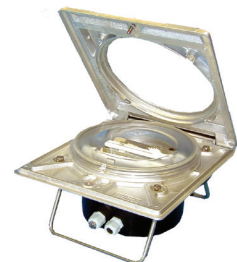
CONTOUR



WEEBOL PLUS



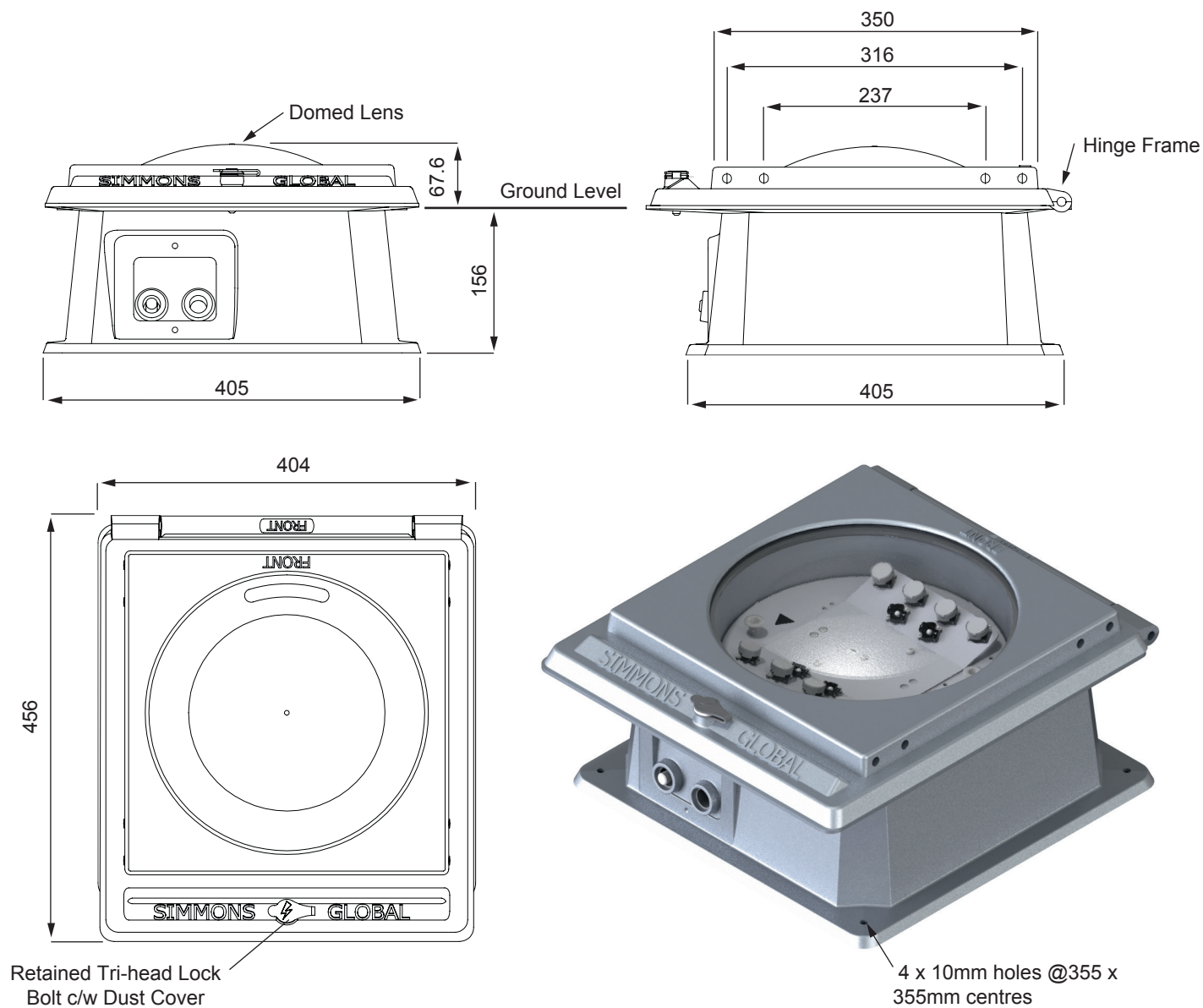
INSIGHT
(GLOBAL UPLIGHTER)



GLOBAL PLUS

Simmons signs Limited reserves the right to alter or improve this guide without prior notice.

DIMENSIONS



Simmons signs Limited reserves the right to alter or improve this guide without prior notice.

simmons signs.co.uk

+44 (0)7841 052 022
+44 (0)1952 293 333
sales@simmons signs.co.uk

Stafford Park 5
Telford Shropshire
TF3 3AS

Doc Ref: DG027
Issue Date: June 2016
Issue Number: 2