

Luminaires not suitable for covering with thermally insulated material



Luminaires not suitable for normally flammable surfaces



### SAFETY FIRST

Isolate the mains electrical supply before commencing installation.  
All electrical work must be carried out in accordance with the latest IET wiring regulations (BS7671) by suitably qualified engineers.

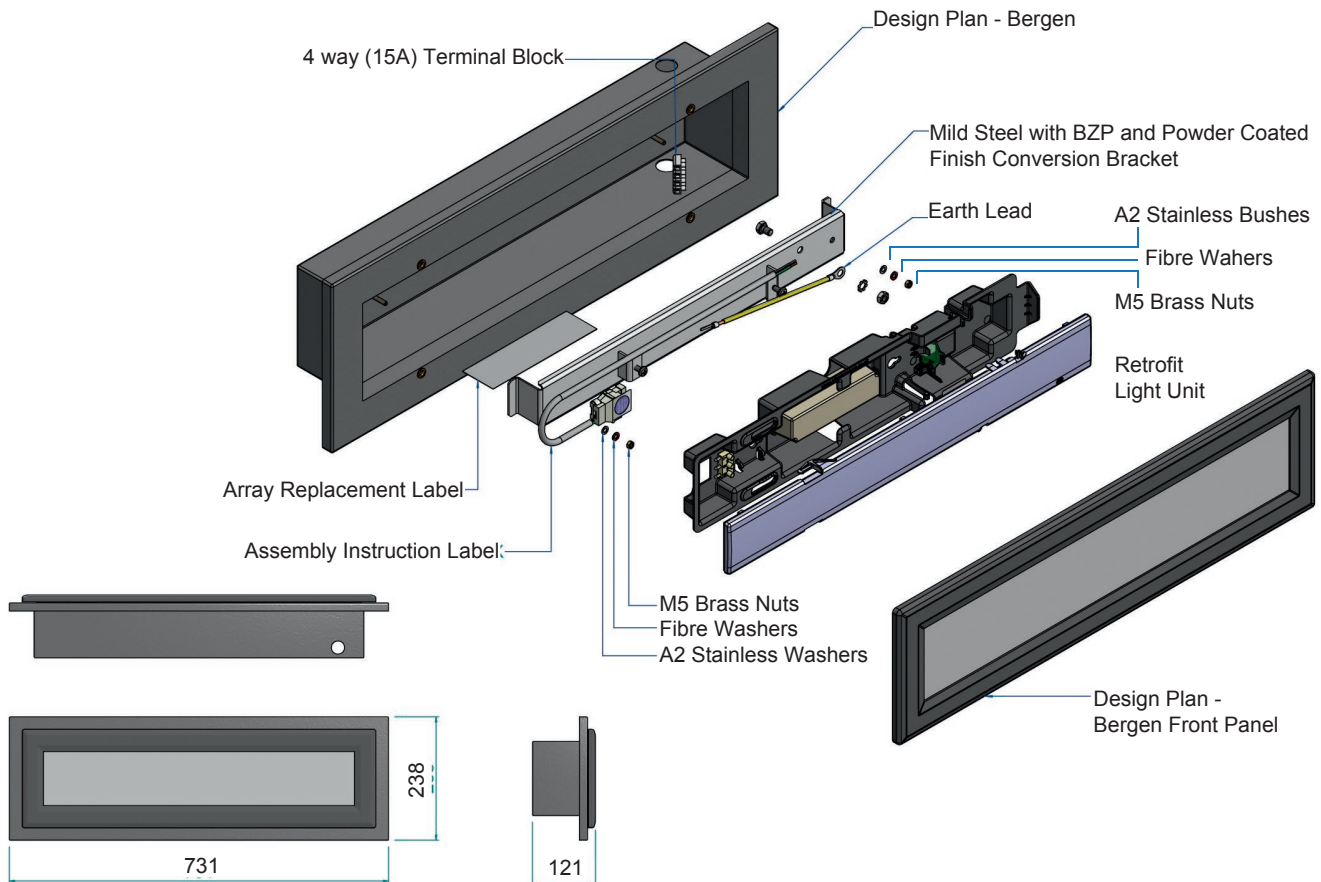
WARNING: DO NOT STARE AT LEDs

Pack Contents	Nominal Weight	Dimensions	Packaging
LED Array Moulded bracket Array Replacement Label Bergen conversion bracket Mains connector cable with 15A connector block and earth lead	2Kg	595 x 112 x 64mm	1 per box

### TOOLS REQUIRED

4-Hole security machine screwdriver  
Pozidriv recess No. 4 screwdriver  
3mm flat terminal screwdriver

### Exploded View



All dimensions in mm

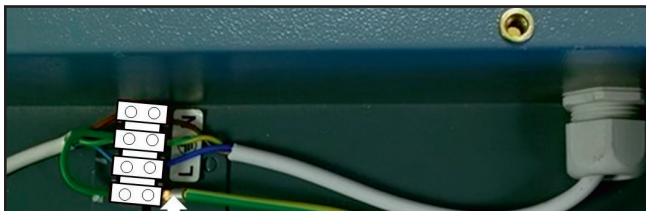
Simmons signs Limited reserves the right to alter or improve this guide without prior notice.

### Method

#### Isolate power for safe working and removing existing light unit.

1. Use the appropriate security tool to undo the four off front bezel M6 screws, taking care to support the front bezel whilst removing it.
2. With the front panel set aside you now have access to the existing light unit. Firstly remove the power connector plug then remove the two M5 threaded plastic fixings by hand. You will now be able to remove the light unit and dispose of it according to the WEEE directive.
3. Disconnect the mains wires from the existing connector block. Remove the power cable and connector block from the earth tang and fit the new connector block at the earth connection link. Wire in the LIVE, EARTH and NEUTRAL from the mains lead to the connector block (see wiring diagram). Next fit the conversion bracket over the two M5 studs and fix with two off M5 insulated washers and brass nuts. (See exploded view).

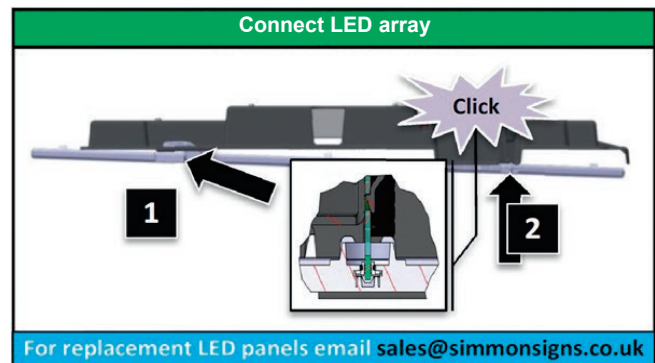
#### Wiring diagram



The terminal block mounts to the 'body earth tang' and is shared with the earth strap to the conversion bracket.

Solid or flexible conductor 0.5 - 4mm<sup>2</sup> (20-11 AWG) 9mm

4. Fit the Light Unit keyholes over the two screws in the conversion bracket and slide it to the left such that the screws are centred on the narrowest part of the keyholes and tighten the Pozidriv screws with the screwdriver.
5. Fit the connector plug to the socket and then connect the LED panel to the bracket by re-inserting the hooks (1) and pushing the panel to engage the clips (2) ensuring that the PCB connector is correctly aligned. You can see this through the LED array mid-way between the clips.



6. The assembly instruction label should be fixed to the inside face of the Bergen body below the unit for future reference.
7. Finally lift and reposition the front bezel and fix into place with the retained four off M6 screws.

#### Lighting level adjustment

The switch position is factory set and should not be adjusted on site, this information is provided as a reference for potential future upgrades. Modifying the adjustment will affect the lighting levels prescribed in any lighting design provided.

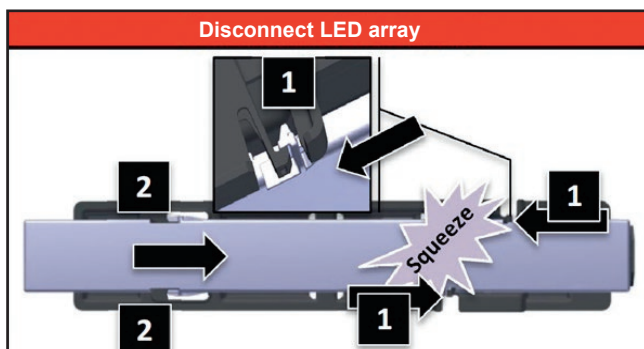
The lighting level of this unit can be set using the rotary switch in the diagram below. Increments indicate the output level.

A 3mm flat terminal screwdriver may assist in turning this.

Switch Position	Power
0	100%
1	10%
2	27%
3	39%
4	47%
5	56%
6	68%
7	82%

#### Disconnecting LED array

To disconnect the LED array from the moulded bracket, simply apply a gentle squeezing force with thumb and index finger on each of the two clip heads shown (1) and pull forward. When released slide the LED panel to the right to disengage the two hooks shown (2).



Simmons signs Limited reserves the right to alter or improve this guide without prior notice.