

### CAB-EX MOUNTED WEEBOL FLEX

#### Tools required

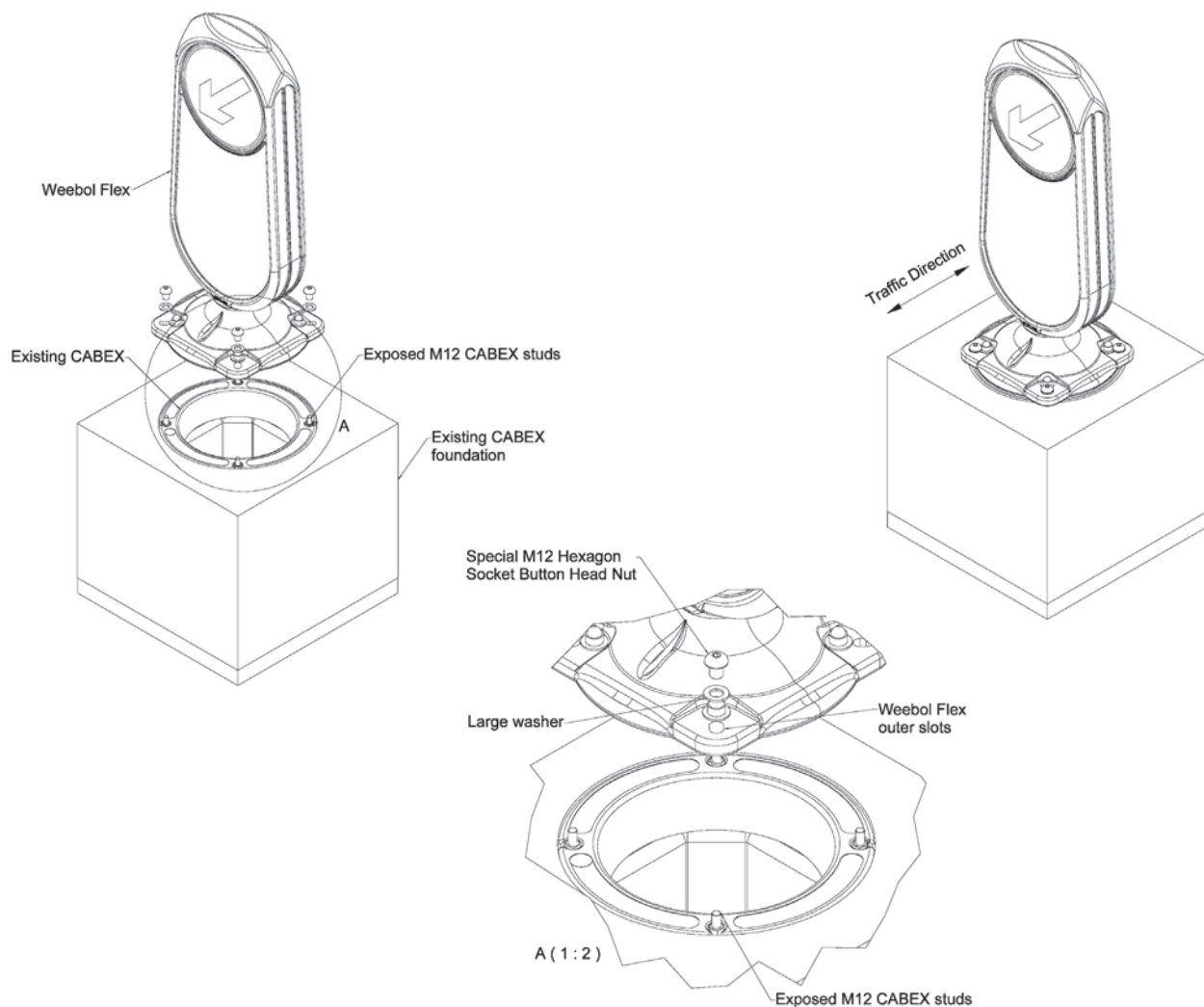
8mm A/F Allen key  
Fixing kit is not supplied with the Weebol Flex. This must be purchased separately. This kit consists of M18 x 34 stainless washer and M12 hexagon socket button head nut – WBLF/CBX/FIX

#### Safety First

Isolate electrical supply before commencing work.

#### Installation

- 1) Remove any existing bollard and baselight and dispose of carefully - ensure any remaining cables are terminated safely.
- 2) Align the Weebol Flex outer mounting slots over the exposed M12 CAB-EX studs - paying careful attention to the orientation of the Weebol Flex front aspect.
- 3) Secure in place using 4 special M12 hexagon socket button head nuts and large washers.



Simmons signs Limited reserves the right to alter or improve this guide without prior notice.